



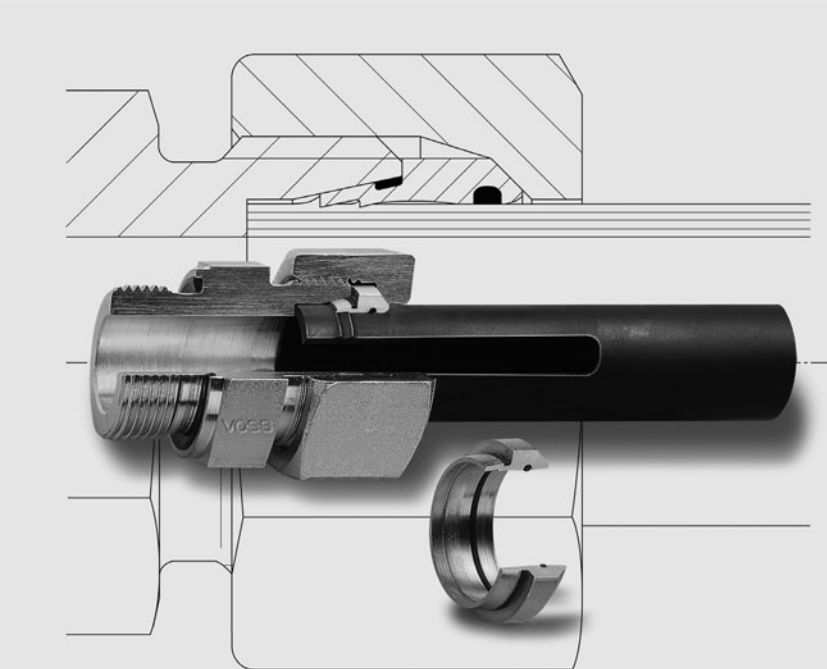
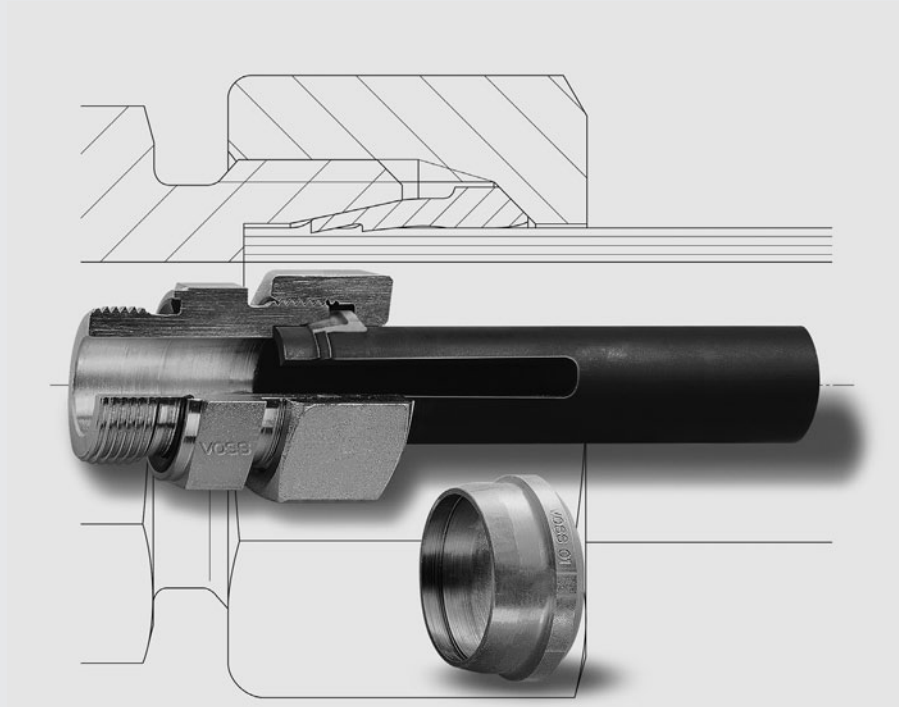
# LEHENGOTAK, S.A.

Schneidringverschraubungen

Cutting Ring Couplings

- 2S
- ES-4

- 2S
- ES-4



Erfahrung plus Ideen  
Experience plus ideas



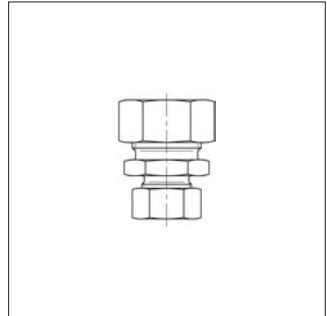
# LEHENGOTAK, S.A.

## Gerade Reduzier- verschraubungen

## Straight reducing couplings

beidseitiger Rohranschluss  
nach DIN 2353 / ISO 8434-1

For tube-to-tube connection  
according to  
DIN 2353 / ISO 8434-1



| Typ<br>Type | 2S (MG 1)<br>Bestell-Nr.<br>Order No. | €/100 <sup>1)</sup><br>€/100 <sup>1)</sup> | ES-4 (MG 14)<br>Bestell-Nr.<br>Order №. | €/100 <sup>1)</sup><br>€/100 <sup>1)</sup> | ** (MG 1)<br>Bestell-Nr.<br>Order No. | €/100 <sup>1)</sup><br>€/100 <sup>1)</sup> |
|-------------|---------------------------------------|--|---|--|---------------------------------------|--|
| LL 6 / 4    |                                       |  |   |  | 0711122000*                           | 452,35                                     |
| LL 8 / 4    |                                       |  |   |  | 0711182000                            | 901,60                                     |
| L 8 / 6     | 0112062007*                           | 516,27                                     | 0112062009*                             | 811,28                                     | 0712062000                            | 361,38                                     |
| L 10 / 6    | 0112122007                            | 567,89                                     | 0112122009                              | 901,00                                     | 0712122000                            | 401,97                                     |
| L 10 / 8    | 0112112007                            | 586,34                                     | 0112112009                              | 930,50                                     | 0712112000                            | 413,02                                     |
| L 12 / 6    | 0112182007                            | 641,64                                     | 0112182009                              | 988,28                                     | 0712182000                            | 457,27                                     |
| L 12 / 8    | 0112172007                            | 656,39                                     | 0112172009                              | 1.014,09                                   | 0712172000                            | 464,64                                     |
| L 12 / 10   | 0112162007                            | 676,07                                     | 0112162009                              | 1.071,87                                   | 0712162000                            | 473,26                                     |
| L 15 / 8    | 0112232007                            | 2.324,43                                   | 0112232009                              | 2.711,62                                   | 0712232000                            | 2.106,86                                   |
| L 15 / 10   | 0112222007                            | 839,53                                     | 0112222009                              | 1.299,27                                   | 0712222000                            | 602,31                                     |
| L 15 / 12   | 0112212007                            | 859,20                                     | 0112212009                              | 1.315,25                                   | 0712212000                            | 603,55                                     |
| L 18 / 10   | 0112282007                            | 1.164,05                                   | 0112282009                              | 1.766,39                                   | 0712282000                            | 827,25                                     |
| L 18 / 12   | 0112272007                            | 1.173,89                                   | 0112272009                              | 1.790,95                                   | 0712272000                            | 818,66                                     |
| L 18 / 15   | 0112262007                            | 1.223,07                                   | 0112262009                              | 1.905,27                                   | 0712262000                            | 833,40                                     |
| L 22 / 10   | 0112342007                            | ***  | 0112342009                              | ***  | 0712342000                            | ***  |
| L 22 / 12   | 0112332007                            | 1.884,36                                   | 0112332009                              | 2.594,85                                   | 0712332000                            | 1.444,31                                   |
| L 22 / 15   | 0112322007                            | 1.531,60                                   | 0112322009                              | 2.310,91                                   | 0712322000                            | 1.057,11                                   |
| L 22 / 18   | 0112312007                            | 1.645,90                                   | 0112312009                              | 2.570,29                                   | 0712312000                            | 1.071,87                                   |
| L 28 / 10   | 0111822007                            | ***  | 0111822009                              | ***  | 0711822000                            | ***  |
| L 28 / 18   | 0112372007                            | 3.120,95                                   | 0112372009                              | 4.112,93                                   | 0712372000                            | 2.321,97                                   |
| L 28 / 22   | 0112362007                            | 3.143,10                                   | 0112362009                              | 4.235,85                                   | 0712362000                            | 2.260,50                                   |
| L 35 / 22   | 0112422007                            | 4.139,96                                   | 0112422009                              | 5.694,91                                   | 0712422000                            | 3.080,39                                   |
| L 35 / 28   | 0112412007                            | 4.447,26                                   | 0112412009                              | 6.083,35                                   | 0712412000                            | 3.162,75                                   |
| L 42 / 28   | 0112472007                            | ***  | 0112472009                              | ***  | 0712472000                            | ***  |
| L 42 / 35   | 0112462007                            | ***  | 0112462009                              | ***  | 0712462000                            | ***  |

\* Beispiel Bez. Vergl.:  
GR08/06L  
GR08/06ZL  
GR06/04LLX

\*\* rohreseitig ohne Überwurfmutter  
und Schneidring

\*\*\* auf Anfrage

<sup>1)</sup> € / 100 Stück, Stahl

\* Sample product code:  
GR08/06L  
GR08/06ZL  
GR06/04LLX

\*\* without union nut and cutting  
ring at tube end

\*\*\* on request

<sup>1)</sup> € / 100 Pieces, steel