



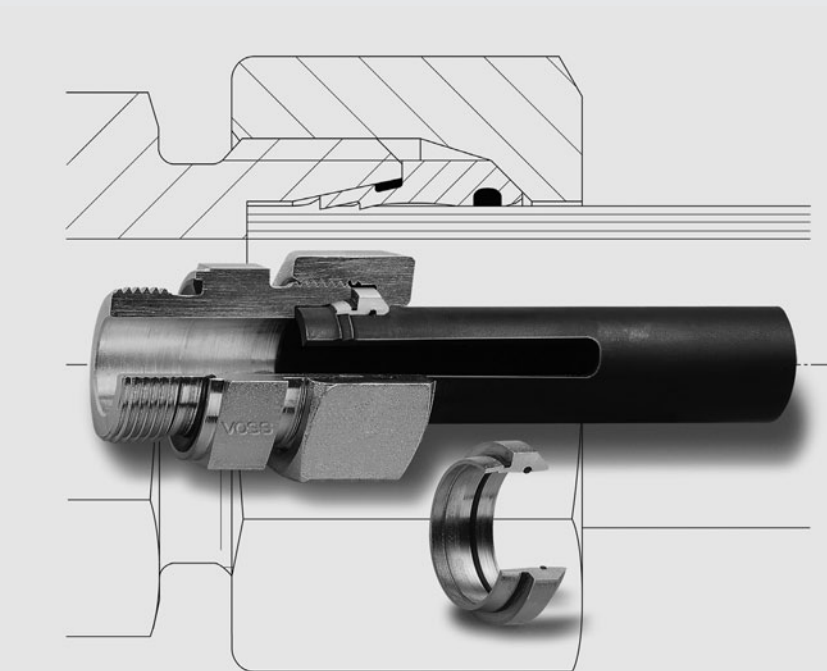
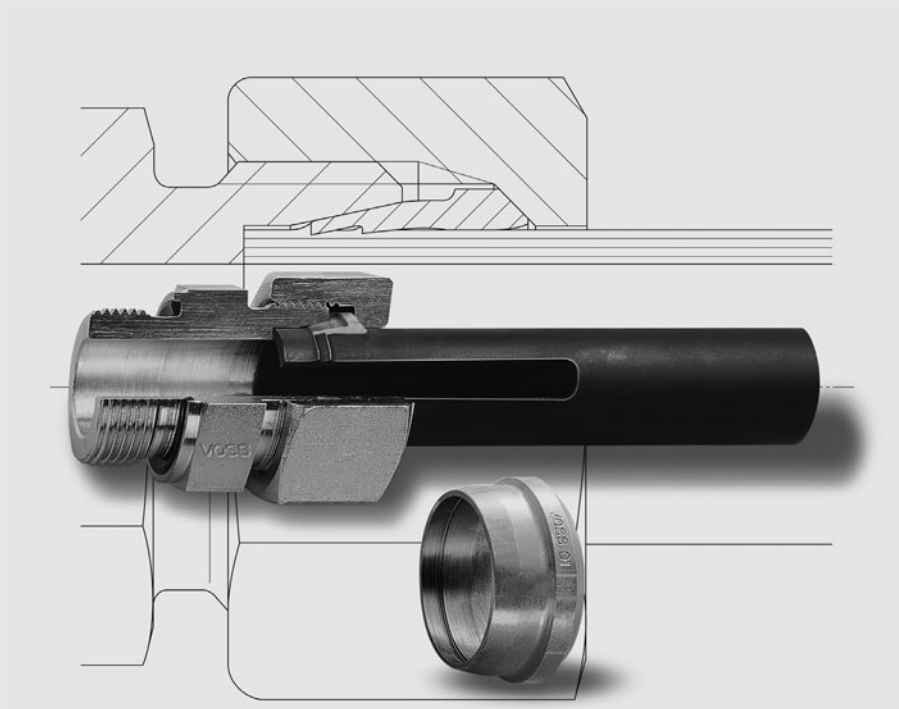
LEHENGOTAK, S.A.

Schneidringverschraubungen

Cutting Ring Couplings

- 2S
- ES-4

- 2S
- ES-4



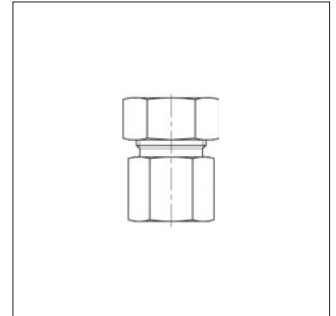
Erfahrung plus Ideen
Experience plus ideas

Gerade
Aufschraub-
verschraubungen

Straight female
stud couplings

Innengewinde:
Metrisches Feingewinde

Female thread:
metric fine thread



2

| Typ Type | 2S (MG 1) | | ES-4 (MG 14) | | ** (MG 1) | |
|-------------------|-------------------------|--|--------------------------|--|--------------------------|--|
| | Bestell-Nr. OrderNo. | €/100 ¹⁾ €/100 ¹⁾ | Bestell-Nr. Order No. | €/100 ¹⁾ €/100 ¹⁾ | Bestell-Nr. Order No. | €/100 ¹⁾ €/100 ¹⁾ |
| L 6 - M 10 x 1 | 0143002007* | 846,91 | 0143002009* | 989,52 | 0743002000 | 773,16 |
| L 8 - M 10 x 1 | 0143062007 | *** | 0143062009 | *** | 0743062000 | *** |
| L 8 - M 12 x 1,5 | 0143052007 | 987,04 | 0143052009 | 1.139,47 | 0743052000 | 905,94 |
| L 10 - M 14 x 1,5 | 0143102007 | 1.042,37 | 0143102009 | 1.223,07 | 0743102000 | 950,17 |
| L 12 - M 16 x 1,5 | 0143152007 | 1.106,29 | 0143152009 | 1.314,02 | 0743152000 | 995,66 |
| L 15 - M 18 x 1,5 | 0143202007 | 1.314,02 | 0143202009 | 1.585,68 | 0743202000 | 1.168,97 |
| L 18 - M 22 x 1,5 | 0143252007 | 1.631,17 | 0143252009 | 2.046,63 | 0743252000 | 1.386,54 |
| L 22 - M 27 x 2 | 0143302007 | 2.090,88 | 0143302009 | 2.605,92 | 0743302000 | 1.761,45 |
| L 28 - M 33 x 2 | 0143352007 | 5.758,83 | 0143352009 | 6.293,53 | 0743352000 | 5.224,11 |
| L 35 - M 42 x 2 | 0143402007 | 7.192,09 | 0143402009 | 8.159,65 | 0743402000 | 6.490,21 |
| L 42 - M 48 x 2 | 0143452007 | 10.185,21 | 0143452009 | 11.482,02 | 0743452000 | 9.388,68 |
| S 12 - M 10 x 1 | 0143512007 | *** | 0143512009 | *** | 0743512000 | *** |
| S 6 - M 12 x 1,5 | 0143502007 | 1.133,34 | 0143502009 | 1.275,91 | 0743502000 | 1.053,44 |
| S 8 - M 14 x 1,5 | 0143552007 | 1.255,03 | 0143552009 | 1.407,44 | 0743552000 | 1.168,97 |
| S 10 - M 16 x 1,5 | 0143602007 | 1.395,14 | 0143602009 | 1.575,85 | 0743602000 | 1.282,05 |
| S 12 - M 18 x 1,5 | 0143652007 | 1.623,78 | 0143652009 | 1.831,52 | 0743652000 | 1.494,73 |
| S 14 - M 20 x 1,5 | 0143702007 | 2.587,47 | 0143702009 | 3.049,65 | 0743702000 | 2.376,05 |
| S 16 - M 22 x 1,5 | 0143752007 | 2.159,71 | 0143752009 | 2.530,92 | 0743752000 | 1.901,58 |
| S 20 - M 27 x 2 | 0143802007 | 2.829,64 | 0143802009 | 3.293,04 | 0743802000 | 2.459,64 |
| S 25 - M 33 x 2 | 0143852007 | 6.222,25 | 0143852009 | 6.833,15 | 0743852000 | 5.615,02 |
| S 30 - M 42 x 2 | 0143902007 | 7.766,12 | 0143902009 | 8.751,96 | 0743902000 | 7.015,09 |
| S 38 - M 48 x 2 | 0143952007 | 10.975,58 | 0143952009 | 12.081,86 | 0743952000 | 9.906,17 |

* Beispiel Bez. Vergl.:
GAI06LM
GAI06ZLM

ohrseitig ohne Überwurfmutter
und Schneidring

*** auf Anfrage

¹⁾ € / 100 Stück, Stahl

* Sample product code:
GAI06LM
GAI06ZLM

** without union nut and cutting
ring at tube end

*** on request

¹⁾ € / 100 Pieces, steel



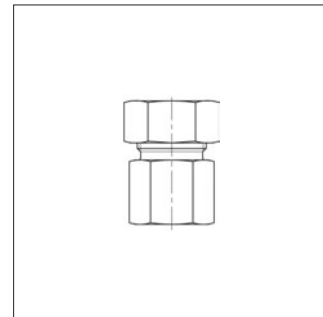
LEHENGOAK, S. A.

Gerade
Aufschraub-
verschraubungen

Straight female
stud couplings

Innengewinde:
Whitworth-Rohrgewinde

Female thread:
Whitworth pipe thread



| Typ Type | 2S (MG 1) Bestell-Nr. Order No. | €/100 ¹⁾ €/100 ¹⁾ | ES-4 (MG 14) Bestell-Nr. Order No. | €/100 ¹⁾ €/100 ¹⁾ | ** (MG 1) Bestell-Nr. Order No. | €/100 ¹⁾ €/100 ¹⁾ |
|----------------|---------------------------------------|--|--|--|---------------------------------------|--|
| L 6 - G 1/8 | 0144002007* | 277,80 | 0144002009* | 420,40 | 0744002000 | 204,05 |
| L 8 - G 1/4 | 0144052007 | 299,92 | 0144052009 | 452,35 | 0744052000 | 218,80 |
| L 8 - G 3/8 | 0144072007 | 1.064,49 | 0144072009 | 1.216,92 | 0744072000 | 983,36 |
| L 10 - G 1/4 | 0144102007 | 326,97 | 0144102009 | 507,65 | 0744102000 | 234,79 |
| L 10 - G 3/8 | 0144122007 | 1.690,15 | 0144122009 | 1.870,85 | 0744122000 | 1.597,97 |
| L 10 - G 1/2 | 0144132007 | 2.334,26 | 0144132009 | 2.514,96 | 0744132000 | 2.242,07 |
| L 12 - G 1/4 | 0144162007 | 2.967,33 | 0144162009 | 3.161,56 | 0744162000 | 2.860,41 |
| L 12 - G 3/8 | 0144152007 | 489,07 | 0144152009 | 683,31 | 0744152000 | 382,15 |
| L 12 - G 1/2 | 0144172007 | 1.424,64 | 0144172009 | 1.632,39 | 0744172000 | 1.314,02 |
| L 15 - G 1/2 | 0144202007 | 550,68 | 0144202009 | 822,33 | 0744202000 | 405,63 |
| L 18 - G 1/2 | 0144252007 | 727,70 | 0144252009 | 1.143,16 | 0744252000 | 483,07 |
| L 22 - G 3/4 | 0144302007 | 1.084,16 | 0144302009 | 1.599,21 | 0744302000 | 754,74 |
| L 28 - G 1 | 0144352007 | 2.782,92 | 0144352009 | 3.376,65 | 0744352000 | 2.228,54 |
| L 35 - G 1 1/4 | 0144402007 | 4.379,65 | 0144402009 | 5.440,47 | 0744402000 | 3.649,51 |
| L 42 - G 1 1/2 | 0144452007 | 4.801,29 | 0144452009 | 6.218,55 | 0744452000 | 3.970,35 |
| S 6 - G 1/4 | 0144502007 | 551,90 | 0144502009 | 694,52 | 0744502000 | 472,02 |
| S 6 - G 1/4 | 0144542007 | 717,86 | 0144542009 | 850,62 | 0744542000 | 640,41 |
| S 8 - G 1/4 | 0144552007 | 565,43 | 0144552009 | 717,86 | 0744552000 | 479,39 |
| S 10 - G 3/8 | 0144602007 | 726,47 | 0144602009 | 907,15 | 0744602000 | 613,37 |
| S 12 - G 1/4 | 0144662007 | *** | 0144662009 | *** | 0744662000 | *** |
| S 12 - G 3/8 | 0144652007 | 752,28 | 0144652009 | 960,02 | 0744652000 | 623,20 |
| S 12 - G 1/2 | 0144672007 | *** | 0144672009 | *** | 0744672000 | *** |
| S 14 - G 1/2 | 0144702007 | 1.300,50 | 0144702009 | 1.762,69 | 0744702000 | 1.089,08 |
| S 16 - G 1/2 | 0144752007 | 1.011,63 | 0144752009 | 1.386,54 | 0744752000 | 753,50 |
| S 20 - G 3/4 | 0144802007 | 1.672,95 | 0144802009 | 2.136,36 | 0744802000 | 1.302,96 |
| S 25 - G 1 | 0144852007 | 3.259,86 | 0144852009 | 3.931,00 | 0744852000 | 2.626,83 |
| S 30 - G 1 1/4 | 0144902007 | 4.447,26 | 0144902009 | 5.396,22 | 0744902000 | 3.658,13 |
| S 38 - G 1 1/2 | 0144952007 | 5.276,98 | 0144952009 | 6.477,92 | 0744952000 | 4.159,63 |

* Beispiel Bez. Vergl.:
GAI06LR
GAI06ZLR

** rohrseitig ohne Überwurfmutter
und Schneidring

*** auf Anfrage

¹⁾ € / 100 Stück, Stahl

* Sample product code:
GAI06LR
GAI06ZLR

** without union nut and cutting
ring at tube end

*** on request

¹⁾ € / 100 Pieces, steel

Manometer- verschraubungen

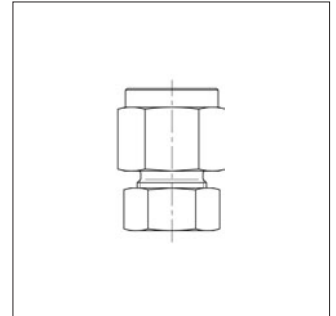
Innengewinde:
Whitworth-Rohrgewinde

Normaler
Verschraubungsanschluss

Gauge couplings

Female thread:
Whitworth pipe thread

Standard coupling



2

| Typ Type | 2S (MG 1) Bestell-Nr. Order No. | €/100 ¹⁾ €/100 ¹⁾ | ES-4 (MG 14) Bestell-Nr. Order No. | €/100 ¹⁾ €/100 ¹⁾ | ** (MG 1) Bestell-Nr. Order No. | €/100 ¹⁾ €/100 ¹⁾ | *** (MG 1) Bestell-Nr. Order No. | €/100 ¹⁾ €/100 ¹⁾ |
|--------------|---------------------------------------|--|--|--|---------------------------------------|--|--|--|
| L 6 - G 1/4 | 0142002007* | 393,35 | 0142002009* | 535,94 | 0142002081 | 319,60 | 0742002000 | 168,42 |
| L 8 - G 1/4 | 0142052007 | 399,51 | 0142052009 | 551,90 | 0142052081 | 318,36 | 0742052000 | 165,95 |
| L 10 - G 1/4 | 0142102007 | 442,52 | 0142102009 | 623,20 | 0142102081 | 350,31 | 0742102000 | 196,67 |
| L 12 - G 1/4 | 0142152007 | 484,30 | 0142152009 | 692,03 | 0142152081 | 373,67 | 0742152000 | 221,26 |
| S 6 - G 1/2 | 0142502007 | 701,87 | 0142502009 | 844,46 | 0142502081 | 621,97 | 0742502000 | 469,57 |
| S 8 - G 1/4 | 0142562007 | 1.130,86 | 0142562009 | 1.186,81 | 0142562081 | 961,87 | 0742562000 | 892,41 |
| S 8 - G 1/2 | 0142552007 | 714,18 | 0142552009 | 866,58 | 0142552081 | 628,11 | 0742552000 | 475,72 |
| S 10 - G 1/2 | 0142602007 | 747,36 | 0142602009 | 928,04 | 0142602081 | 634,27 | 0742602000 | 480,63 |
| S 12 - G 1/2 | 0142652007 | 764,58 | 0142652009 | 972,32 | 0142652081 | 635,49 | 0742652000 | 483,07 |

Manometer- verschraubungen

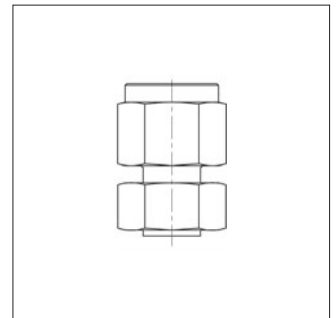
Innengewinde:
Whitworth-Rohrgewinde

Einsteckausführung
vormontiert

Gauge couplings

Female thread:
Whitworth pipe thread

Male version
pre-assembled



| Typ Type | 2S (MG 1) Bestell-Nr. Order No. | €/100 ¹⁾ €/100 ¹⁾ |
|--------------|---------------------------------------|--|
| L 6 - G 1/8 | 0142032007 | 701,87 |
| L 6 - G 1/4 | 0142042007* | 644,10 |
| L 8 - G 1/4 | 0142092007 | 652,70 |
| L 10 - G 1/4 | 0142132007 | 666,23 |
| L 12 - G 1/4 | 0142182007 | 669,91 |
| S 6 - G 1/2 | 0142542007 | 1.102,61 |
| S 8 - G 1/2 | 0142592007 | 1.121,04 |
| S 10 - G 1/2 | 0142612007 | 1.178,80 |
| S 12 - G 1/2 | 0142692007 | 1.148,07 |

* Beispiel Bez. Vergl.:
MAV06LR
MAV06ZLR
MAVE06LR

** rohrrseitig ohne Überwurfmutter
und Schneidring

*** ohne Überwurfmutter, Schneidring
und Dichtkantenring

¹⁾ € / 100 Stück, Stahl

* Sample product code:
MAV06LR
MAV06ZLR
MAVE06LR

** without union nut and cutting
ring at tube end

*** without union nut, cutting ring
and seal-edge ring

¹⁾ € / 100 Pieces, steel