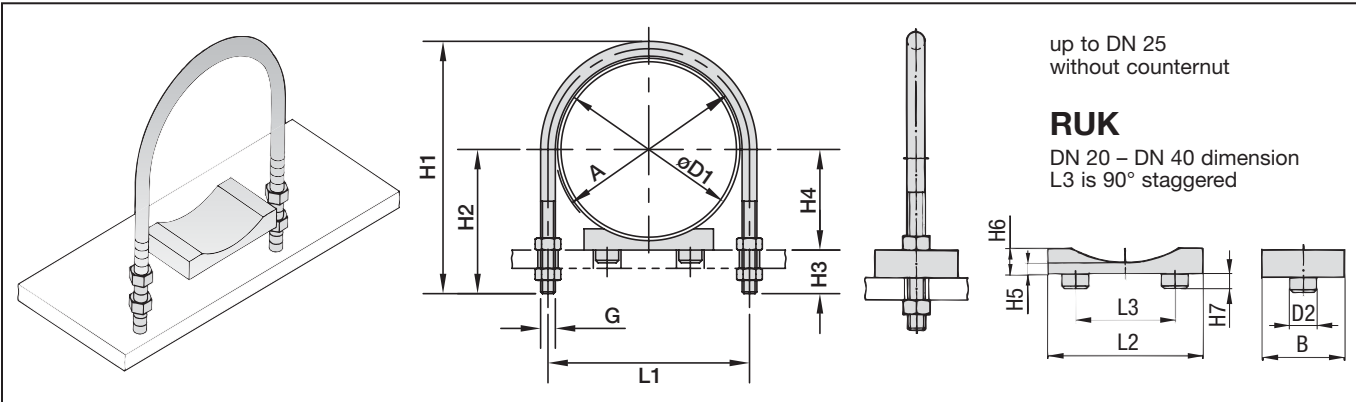


with plastic pipe saddle - short - RUK



DN	Pipe-O.D. ØD1		Round Steel U-Bolt RB										Plastic Pipe Saddle RUK																
	mm	inch	A		L1		H1		H2		H3		H4		G	L2		L3		B		H5		H6		H7		D2	
			mm	inch	mm	inch	mm	inch	mm	inch	mm	inch	mm	inch		mm	inch	mm	inch	mm	inch	mm	inch	mm	inch	mm	inch	mm	inch
20	25		30		40		73.5		46		30		17.5		M10	35		25		24		5		8		5		8	
	26.9	3/4	1.18		1.57		2.89		1.81				0.69																
25	30		38		48		81		50				20		3/8-16UNC														
	33.7	1	1.50		1.89		3.19						0.79																
32	38		46		56		89						22		M12														
	42.4	1 1/4	1.81		2.20		3.50		1.97		1.18		0.87																
40	44.5		52		62		100		55		35		27.2		7/16-14UNC	38				50				10		6		10	
	48.3	1 1/2	2.05		2.44		3.94		2.17		1.38		1.07				1.38				0.94			0.31		0.20		0.31	
50	57		64		76		118		63		39		33.5		M16														
	60.3	2	2.52		2.99		4.65		2.48		1.54		1.32																
65	76.1		82		94		135		77		43		35.2		5/8-11UNC	75		40		70		8		17		10		15	
	88.9	3	3.23		3.70		5.31		3.03		1.61		1.39				1.50		0.98		1.97		0.20		0.39		0.24		0.39
80	88.9		94		106		152		82		41		52.5		M20														
	108		120		136		190		105		47		2.07																
100	114.3		120		136		190		105		47		62		3/4-10UNC	75		40		70		8		17		10		15	
	133		148		164		217						2.44				2.95		1.57		2.76			0.67			0.59		
125	139.7		148		164		217						74.5		M24														
	159		176		192		247				51		3.07																
150	168.3		176		192		247						87.5		7/8-9UNC	140		90		75				26				25	
	193.7		202		218		273		4.13		2.01		3.62																
175	193.7		202		218		273		4.13		2.01		105		M20														
	216		228		248		311		125		59		4.13																
200	219.1		228		302		364						116		3/4-10UNC	75		40		70		8		17		10		15	
	267		282		302		364						4.63				5.51		3.54						1.02			0.98	
250	273		332		352		418						144.5		M24														
	318		332		352		418				62		5.69																
300	323.9		332		352		418						167		M24	220		150						32				30	
	355.6		378		402		475		145		70		6.69																
350	368		378		402		475		145		70		186		M24														
	406.4		428		452		526						7.56																
400	419		428		452		526						211		7/8-9UNC														
	508		530		554		627						8.31																
500	521		530		554		627						262		M24														
			20.87		21.81		24.69		5.71		2.76		10.59				5.91		5.91		2.95		0.31		1.26		0.39		1.18

ORDER CODES

RB + RUK complete

RBxx RUK/xx ***,*

- Pipe-O.D. ØD1 (mm)
- PP - Polypropylene
- PA - Polyamide

Material and surface finishing

- carbon steel St 37, untreated **W1**
- carbon steel St 37, zinc plated (Fe/Zn 8 C) **W3**
- stainless steel A4 - 1.4401/1.4571 (AISI 316/316Ti) **W5**
- carbon steel St 37, plastic coated **W6**

Clamp consisting of:

- 1 x Round Steel U-Bolt, 4 x Nuts DIN EN ISO 4032,
- 1 x Plastic Pipe Saddle RUK/xx

Round Steel U-Bolt

RBxx A *** kompl

- Dimension A

Material and surface finishing

- carbon steel St 37, untreated **W1**
- carbon steel St 37, zinc plated (Fe/Zn 8 C) **W3**
- stainless steel A4 - 1.4401/1.4571 (AISI 316/316Ti) **W5**
- carbon steel St 37, plastic coated **W6**

Clamp consisting of:

- 1 x Round Steel U-Bolt
- 4 x Nuts DIN EN ISO 4032

Plastic Pipe Saddle

RUK ***,* xx

- PP - Polypropylene
- PA - Polyamide
- Pipe-O.D. ØD1 (mm)

Information

Items are supplied non-assembled. Other materials and surface finishings upon request.