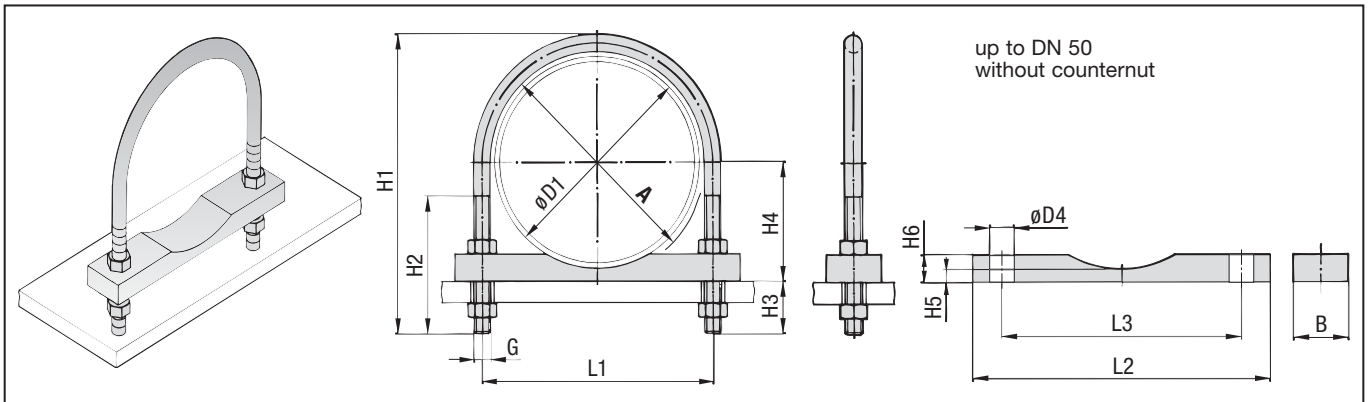


with plastic pipe saddle - long - RUL



DN	Pipe-O.D. ØD1		Round Steel U-Bolt RB								G	Plastic Pipe Saddle RUL					
	mm	inch	A	L1	H1	H2	H3	H4	L2	L3		B	H5	H6	ØD4		
20	25		30	40	73.5	46	30	17.5	M10	75	40	30	5	12	11		
	26.9	3/4	1.18	1.57	2.89	1.81		0.69								2.95	1.57
25	30		38	48	81	50		18.5	3/8-16UNC	80	48						
	33.7	1	1.50	1.89	3.19		20	0.79								3.15	1.89
32	38		46	56	89			22	M12	90	56						
	42.4	1 1/4	1.81	2.20	3.50	1.97	1.18	24								0.87	3.54
40	44.5		52	62	100	55	35	26.2	7/16-14UNC	95	62	35		15			
	48.3	1 1/2	2.05	2.44	3.94	2.17	1.38	29								1.03	3.74
50	57		64	76	118	63	39	33.5	M16	110	76						
	60.3	2	2.52	2.99	4.65	2.48	1.54	35								1.39	4.33
65	76.1		82	94	135	77	43	43	5/8-11UNC	135	94	1.38	0.20	0.59			
	88.9	2 1/2	3.23	3.70	5.31	3.03	1.69	45								1.69	5.31
80	108		94	106	152	82	39	54.5	M20	145	106	40	10	20			
	114.3	4	3.70	4.17	5.98	3.23	1.61	64								2.07	5.70
100	133		120	136	190	105	47	64	3/4-10UNC	190	136						
	139.7	5	4.72	5.35	7.48		1.93	67								2.56	7.48
125	159		148	164	217			76.5	M24	220	164	1.57	0.39	0.79			
	168.3	6	5.83	6.46	8.54	4.13	2.01	80								3.07	8.66
150	193.7		176	192	247			91.5	M20	250	192	50	12	25			
	216	8	6.93	7.56	9.72		2.32	96								3.62	9.84
175	219.1		202	218	273	125	55	109	3/4-10UNC	270	218	1.97	0.47	0.98			
	228	9	7.95	8.58	10.74	4.92	2.44	109								4.13	10.63
200	267		228	248	311			120	M24	315	248	60	15	30			
	273	10	8.98	9.76	12.24		2.32	121.5								4.63	12.40
250	318		332	352	418			145.5	7/8-9UNC	370	302	1.97	0.47	0.98			
	323.9	12	11.10	11.89	14.33	5.71	2.76	148.5								5.69	14.57
300	355.6		378	402	475	145	63	174	M24	420	352	60	15	30			
	368	14	14.88	15.83	18.70		2.44	177								6.69	16.54
350	406.4		428	452	526			193	M24	480	402	1.97	0.47	0.98			
	419	16	16.85	17.80	20.70		2.44	199								7.56	18.90
400	508		530	554	627			218	7/8-9UNC	540	452	2.36	0.59	1.18			
	521	20	20.87	21.81	24.69	5.71	2.76	218								8.31	21.26
500								224.5		640	554	2.36	0.59	1.18	1.02		
								269	10.31							25.20	21.81

ORDER CODES

RB + RUL complete

RBxx RUL/xx ***,*

↳ Pipe-O.D. ØD1 (mm)
 ↳ PP - Polypropylene
 ↳ PA - Polyamide

Material and surface finishing
 carbon steel St37, untreated **W1**
 carbon steel St37, zinc plated (Fe/Zn 8 C) **W3**
 stainless steel A4 - 1.4401/1.4571 **W5**
 (AISI 316/316Ti)
 carbon steel St 37, plastic coated **W6**

Clamp consisting of:

1 x Round Steel U-Bolt, 4 x Nuts DIN EN ISO 4032,
1 x Plastic Pipe Saddle RUL/xx

Round Steel U-Bolt

RBxx A *** kompl

↳ Dimension A

Material and surface finishing
 carbon steel St37, untreated **W1**
 carbon steel St37, zinc plated (Fe/Zn 8 C) **W3**
 stainless steel A4 - 1.4401/1.4571 **W5**
 (AISI 316/316Ti)
 carbon steel St 37, plastic coated **W6**

Clamp consisting of:

1 x Round Steel U-Bolt
4 x Nuts DIN EN ISO 4032

Plastic Pipe Saddle

RUL ***,* xx

↳ PP - Polypropylene
 ↳ PA - Polyamide
 ↳ Pipe-O.D. ØD1 (mm)

Information

Items are supplied non-assembled. Other materials and surface finishings upon request.