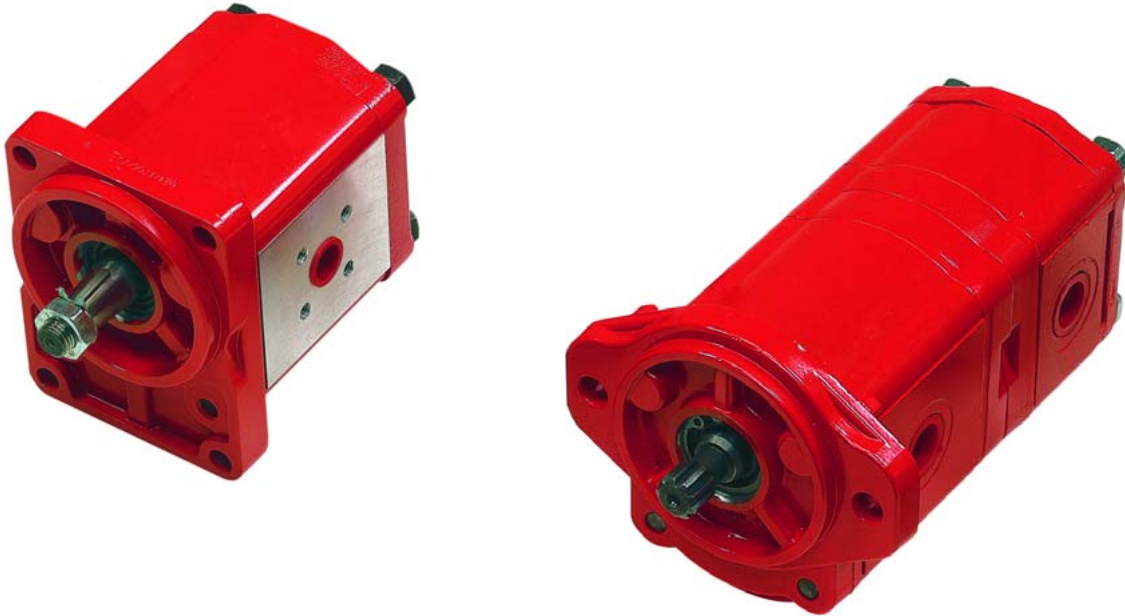
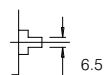
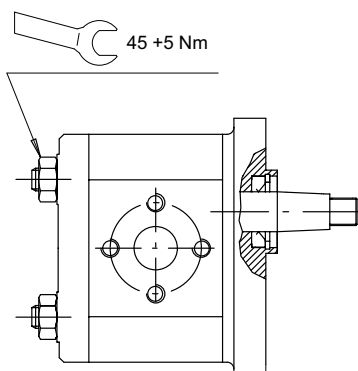


## 5 Gear pump group AP200



AP/APR200 Type	Displacement		Max. pressure						n min.		n max.	
	cm <sup>3</sup> /rev	Cu.In. P.R.	P1		P2		P3		P ≤ P1	P > P1	P ≤ P1	P > P1
			bar	P.S.I.	bar	P.S.I.	bar	P.S.I.				
AP-APR200/4.5	4.3	.262	220	3150	250	3600	280	4000	800	1000	3500	4000
AP-APR200/6.5	6.3	.384	220	3150	250	3600	280	4000	800	1000	3500	4000
AP-APR200/8.5	8.3	.506	220	3150	250	3600	280	4000	800	1000	3500	4000
AP-APR200/11	11.0	.671	210	3000	230	3300	250	3600	700	900	3500	4000
AP-APR200/15	15.0	.915	210	3000	230	3300	250	3600	650	800	3500	4000
AP-APR200/19	18.9	1.159	210	3000	230	3300	250	3600	650	800	3000	3500
AP-APR200/22	21.9	1.342	200	2900	220	3150	240	3400	600	750	3000	3500
AP-APR200/26	25.9	1.586	190	2700	210	3000	230	3300	600	750	2500	3000



M max= 65 Nm

\*\*9



M max= 65 Nm

\*\*9



M max= 135 Nm

\*\*5



M max= 135 Nm

\*\*8



M max= 110 Nm

\*\*7

B17x14 DIN5482



M max= 90 Nm

\*\*7S

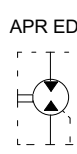
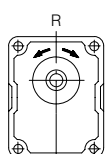
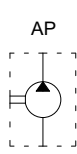
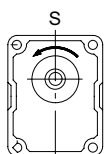
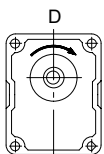
SAE J 498-9T 16/32 DP



M max= 65 Nm

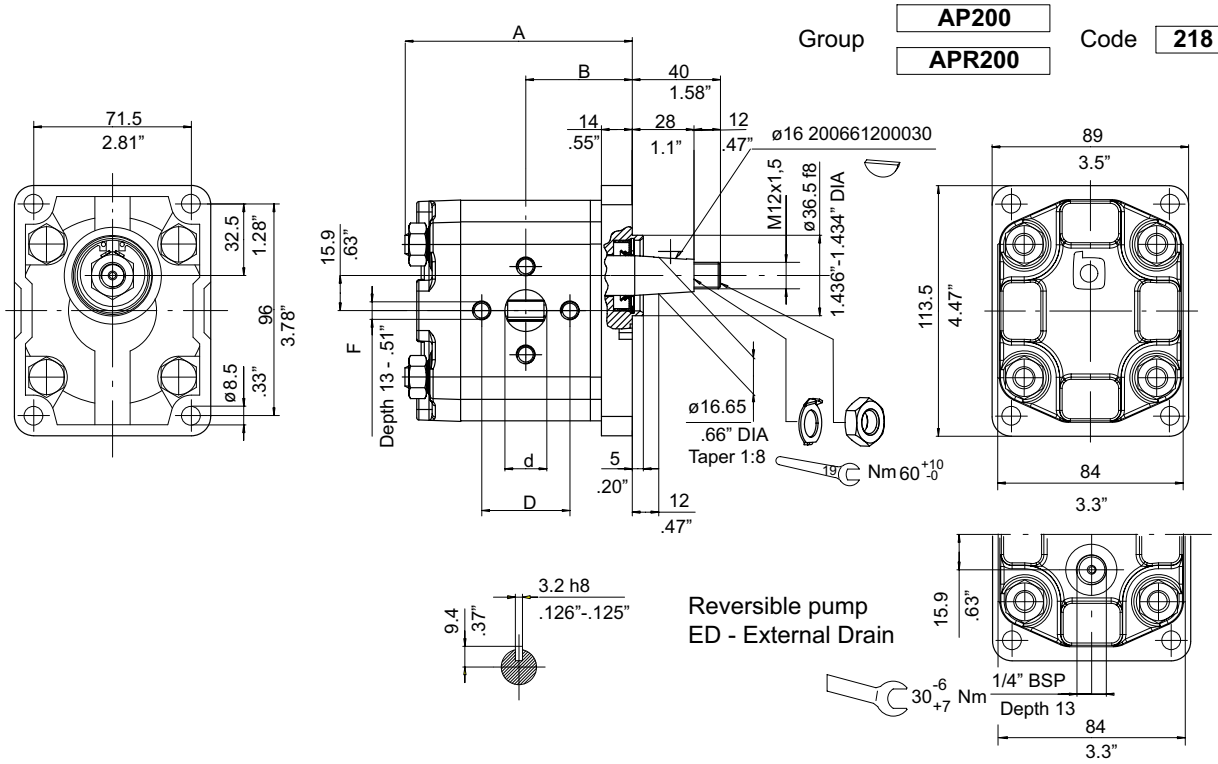
\*\*0

Clockwise (D) Counter-clockwise (S) rotation Reversible rotation



Notes:

- For uses at the operating limits, see note on page 8/96
- For codes and dimensions regarding accessories, see section 7.
- For the types of pumps without ordering code, contact our Sales Dept.
- For reversible pumps alternative inlet and outlet ports have same sizes as per inlet unidirectional rotation



Group **AP200**  
**APR200** Code **218**

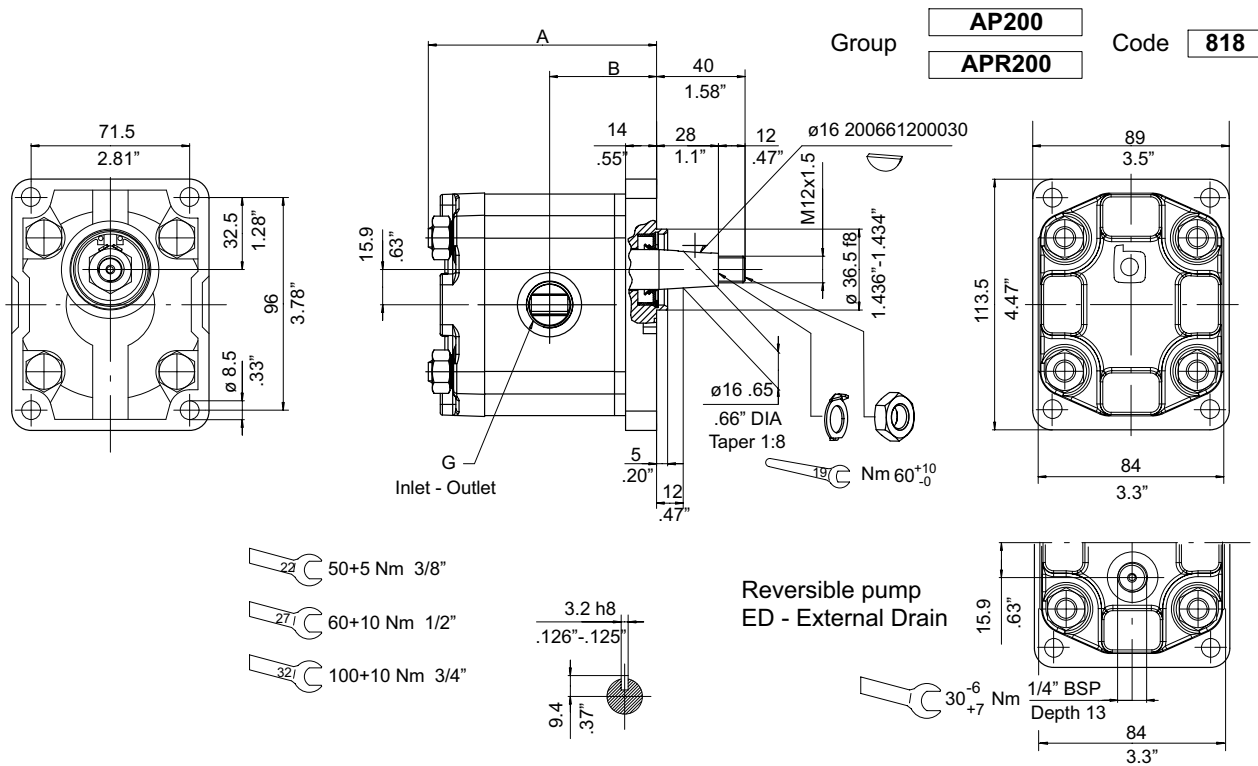
Type	Displacement cm <sup>3</sup> /rev	Dimensions				Suction					Pressure				
		A		B		d		D		F	d		D		F
		mm	inch	mm	inch	mm	inch	mm	inch	mm	mm	inch	mm	inch	mm
AP200/4.5	4.3	88	3.46	40.3	1.59	13.5	.53	30	1.18	M6X1	13.5	.53	30	1.18	M6X1
AP200/6.5	6.3														
AP200/8.5	8.3														
AP200/11	10.95	104	4.09	48.3	1.90	19	.75	40	1.58	M8X1.25	19	.75	40	1.58	M8X1.25
AP200/15	14.95														
AP200/19	18.9														
AP200/22	21.9	118	4.64	56.5	2.22	19	.75	40	1.58	M8X1.25	19	.75	40	1.58	M8X1.25
AP200/26	25.9														

Clockwise rotation: D		Counter-clockwise rotation: S		Reversible pump External Drain	
Type	Order Code	Type	Order Code	Type	Order Code
AP200/4.5 D	200.1021.132.02	AP200/4.5 S	200.1021.133.02	APR200/4.5 ED	
AP200/6.5 D	200.1022.132.02	AP200/6.5 S	200.1022.133.05	APR200/6.5 ED	
AP200/8.5 D	200.1023.132.02	AP200/8.5 S	200.1023.133.02	APR200/8.5 ED	
AP200/11 D	200.1024.132.02	AP200/11 S	200.1024.133.02	APR200/11 ED	
AP200/15 D	200.1025.132.02	AP200/15 S	200.1025.133.02	APR200/15 ED	
AP200/19 D	200.1026.132.02	AP200/19 S	200.1026.133.02	APR200/19 ED	
AP200/22 D	200.1027.132.02	AP200/22 S	200.1027.133.02	APR200/22 ED	
AP200/26 D	200.1028.132.02	AP200/26 S	200.1028.133.02	APR200/26 ED	

**Accessories**

Flange connectors: RF223 - RF224 - RF225 - RF238 - RF246 - RF251

Splined couplings: GSH-2B-14 - GSH-2B-15 - GSH-2B-18

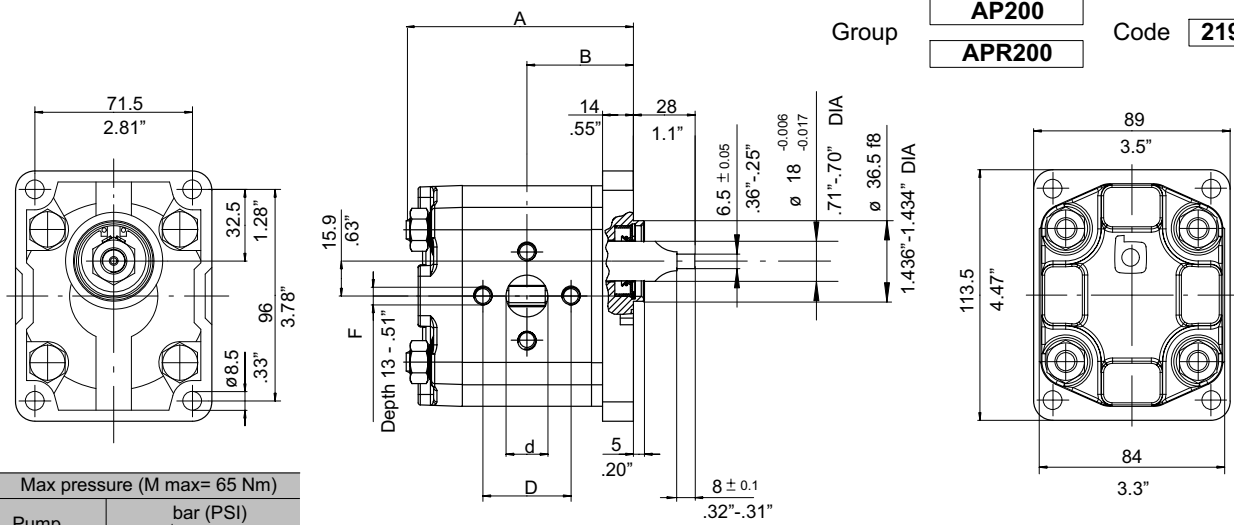


Type	Displacement cm <sup>3</sup> /rev	Dimensions				Suction G BSPP	Pressure G BSPP
		A		B			
		mm	inch	mm	inch		
AP200/4.5	4.3	88	3.46	40.3	1.59	3/8"	3/8"
AP200/6.5	6.3						
AP200/8.5	8.3						
AP200/11	10.95	104	4.09	48.3	1.90	1/2"	
AP200/15	14.95						
AP200/19	18.9	118	4.64	54.3	2.14	3/4"	1/2"
AP200/22	21.9						
AP200/26	25.9						

Clockwise rotation: D		Counter-clockwise rotation: S		Reversible pump External Drain	
Type	Order Code	Type	Order Code	Type	Order Code
AP200/4.5 D	200.1021.132.04	AP200/4.5 S	200.1021.133.03	APR200/4.5 ED	
AP200/6.5 D	200.1022.132.03	AP200/6.5 S	200.1022.133.04	APR200/6.5 ED	
AP200/8.5 D	200.1023.132.04	AP200/8.5 S	200.1023.133.03	APR200/8.5 ED	
AP200/11 D	200.1024.132.04	AP200/11 S	200.1024.133.05	APR200/11 ED	
AP200/15 D	200.1025.132.07	AP200/15 S	200.1025.133.05	APR200/15 ED	
AP200/19 D	200.1026.132.05	AP200/19 S	200.1026.133.04	APR200/19 ED	
AP200/22 D	200.1027.132.05	AP200/22 S	200.1027.133.03	APR200/22 ED	
AP200/26 D	200.1028.132.03	AP200/26 S	200.1028.133.04	APR200/26 ED	

**Accessories**

Splined couplings: GSH-2B-14 - GSH-2B-15 - GSH-2B-18

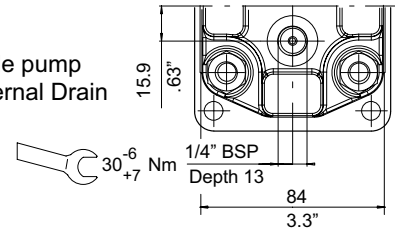


Group **AP200**  
**APR200**

Code **219A**

Max pressure (M max= 65 Nm)			
Pump	bar (PSI)		
	P1	P2	P3
AP200/15	180 (2600)	210 (3000)	230 (3300)
AP200/19	140 (2000)	165 (2400)	185 (2650)
AP200/22	120 (1700)	145 (2050)	165 (2350)
AP200/26	100 (1450)	120 (1750)	140 (2000)

Reversible pump  
ED - External Drain



Type	Displacement cm <sup>3</sup> /rev	Dimensions				Suction					Pressure				
		A		B		d		D		F	d		D		F
		mm	inch	mm	inch	mm	inch	mm	inch	mm	mm	inch	mm	inch	mm
<b>AP200/4.5</b>	4.3	88	3.46	40.3	1.59	13.5	.53	30	1.18	M6X1	13.5	.53	30	1.18	M6X1
<b>AP200/6.5</b>	6.3														
<b>AP200/8.5</b>	8.3														
<b>AP200/11</b>	10.95	104	4.09	48.3	1.90	19	.75	40	1.58	M8X1.25	19	.75	40	1.58	M8X1.25
<b>AP200/15</b>	14.95														
<b>AP200/19</b>	18.9														
<b>AP200/22</b>	21.9	118	4.64	56.5	2.22	19	.75	40	1.58	M8X1.25	19	.75	40	1.58	M8X1.25
<b>AP200/26</b>	25.9														

Clockwise rotation: D		Counter-clockwise rotation: S		Reversible pump External Drain	
Type	Order Code	Type	Order Code	Type	Order Code
AP200/4.5 D		AP200/4.5 S		APR200/4.5 ED	
AP200/6.5 D		AP200/6.5 S		APR200/6.5 ED	
AP200/8.5 D		AP200/8.5 S		APR200/8.5 ED	
AP200/11 D		AP200/11 S		APR200/11 ED	
AP200/15 D		AP200/15 S		APR200/15 ED	
AP200/19 D	<b>200.1026.142.02</b>	AP200/19 S		APR200/19 ED	
AP200/22 D		AP200/22 S		APR200/22 ED	
AP200/26 D		AP200/26 S		APR200/26 ED	

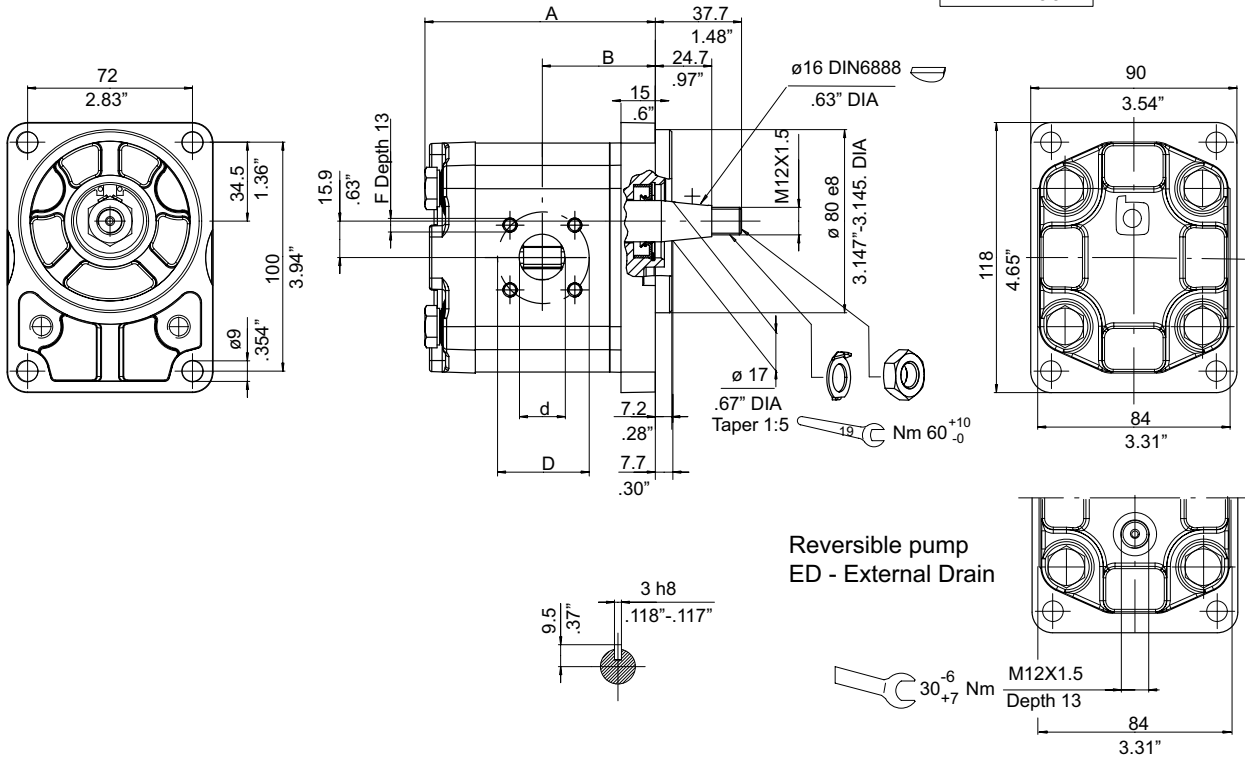
**Accessories**

Flange connectors: RF223 - RF224 - RF225 - RF238 - RF246 - RF251

Note: With respect to the standards, the maximum pressures of some versions of this pump are reduced in relation to the max. torque allowed to the shaft.

Group **AP200**  
**APR200**

Code **225**



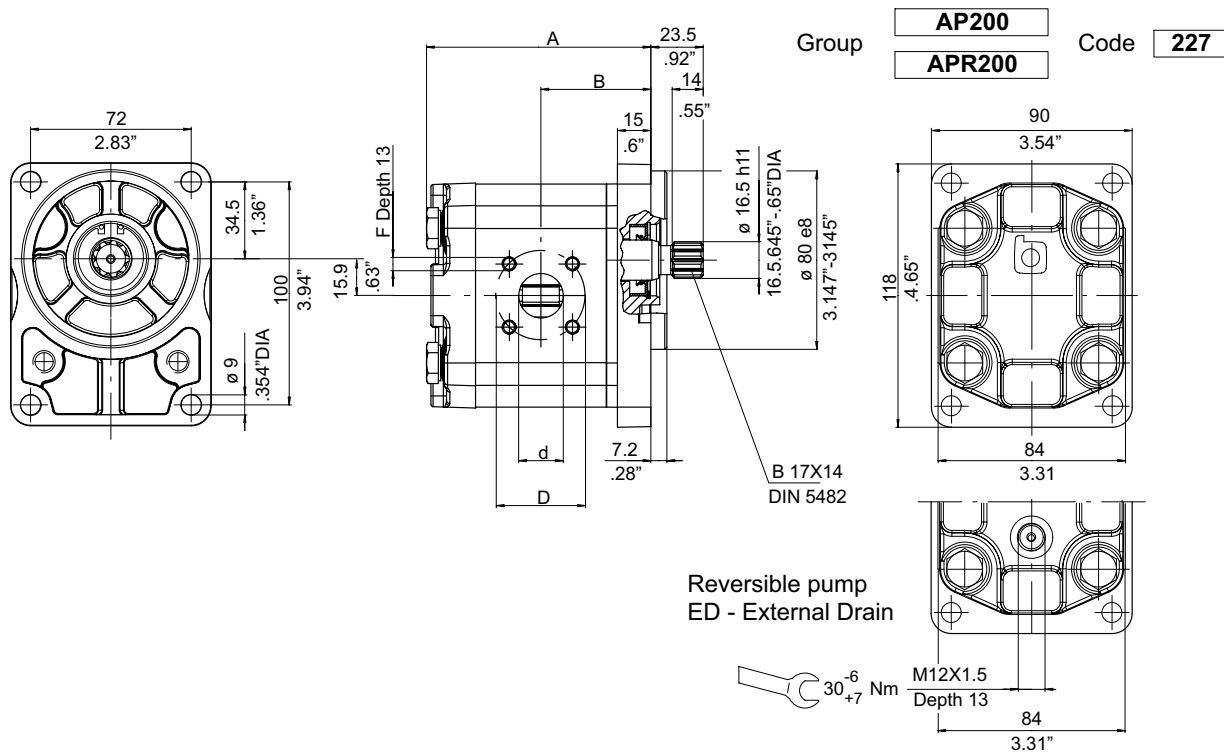
Type	Displacement cm <sup>3</sup> /rev	Dimensions				Suction					Pressure				
		A		B		d		D		F	d		D		F
		mm	inch	mm	inch	mm	inch	mm	inch	mm	mm	inch	mm	inch	mm
AP200/4.5	4.3	85	3.35	41.3	1.63	15	.59	40	1.58	M6X1	15	.59	35	1.38	M6X1
AP200/6.5	6.3														
AP200/8.5	8.3														
AP200/11	10.95	101	4	49.3	1.94	20	.79								
AP200/15	14.95														
AP200/19	18.9														
AP200/22	21.9														

Clockwise rotation: D		Counter-clockwise rotation: S		Reversible pump External Drain	
Type	Order Code	Type	Order Code	Type	Order Code
AP200/4.5 D	200.1021.222.03	AP200/4.5 S	200.1021.223.03	APR200/4.5 ED	
AP200/6.5 D	200.1022.222.03	AP200/6.5 S	200.1022.223.03	APR200/6.5 ED	
AP200/8.5 D	200.1023.222.03	AP200/8.5 S	200.1023.223.03	APR200/8.5 ED	
AP200/11 D	200.1024.222.02	AP200/11 S	200.1024.223.02	APR200/11 ED	
AP200/15 D	200.1025.222.03	AP200/15 S	200.1025.223.01	APR200/15 ED	
AP200/19 D	200.1026.222.03	AP200/19 S	200.1026.223.03	APR200/19 ED	
AP200/22 D	200.1027.222.03	AP200/22 S	200.1027.223.01	APR200/22 ED	

**Accessories**

Flange connectors: RF221 - RF262 - RF216 - RF252 - RF217 - RF220.

Splined couplings: GSH-2B-14 - GSH-2B-15 - GSH-2B-18

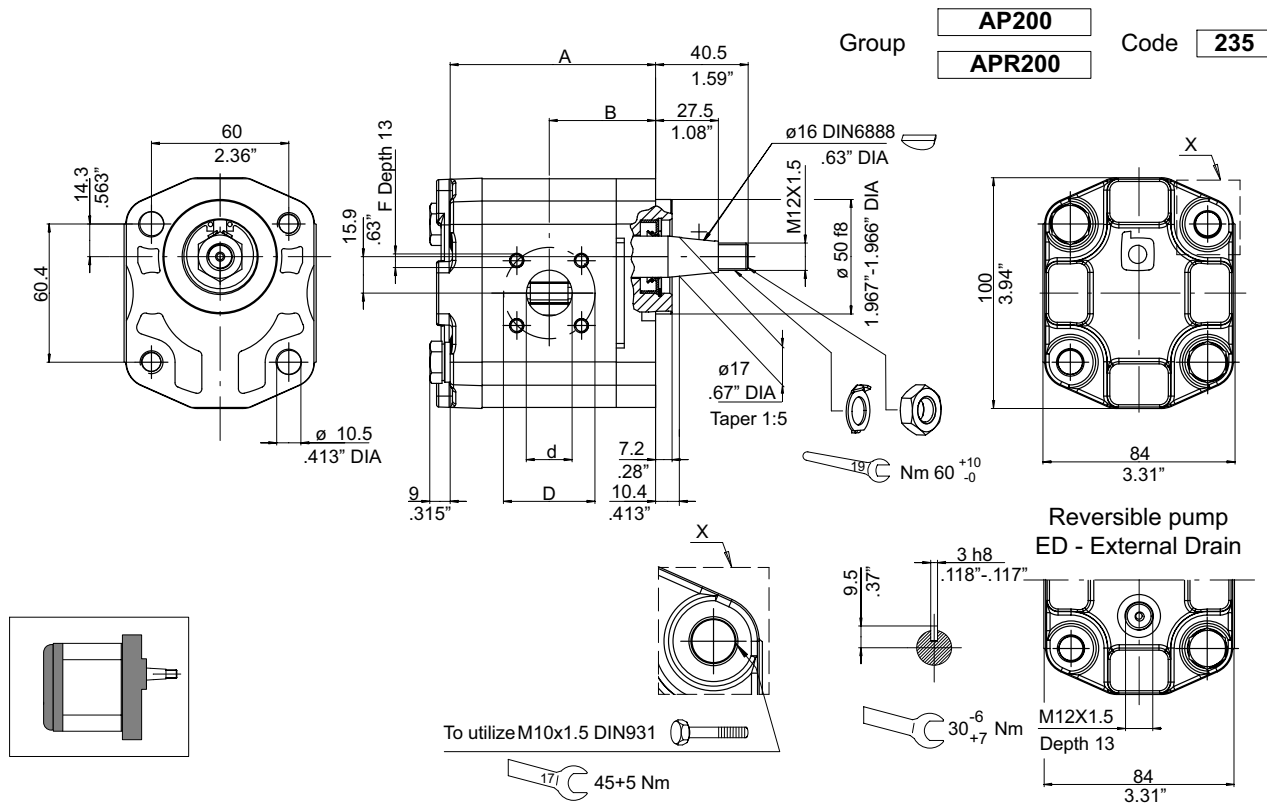


Type	Displacement cm <sup>3</sup> /rev	Dimensions				Suction					Pressure				
		A mm	inch	B mm	inch	d mm	inch	D mm	inch	F mm	d mm	inch	D mm	inch	F mm
AP200/4.5	4.3	85	3.35	41.3	1.63	15	.59	40	1.58	M6X1	15	.59	35	1.38	M6X1
AP200/6.5	6.3														
AP200/8.5	8.3														
AP200/11	10.95	101	4	49.3	1.94	20	.79	40	1.58	M6X1	15	.59	35	1.38	M6X1
AP200/15	14.95														
AP200/19	18.9	113	4.44	55.3	2.18	20	.79	40	1.58	M6X1	15	.59	35	1.38	M6X1
AP200/22	21.9														
AP200/26	25.9	117	4.60	57.5	2.26	20	.79	40	1.58	M6X1	15	.59	35	1.38	M6X1

Clockwise rotation: D		Counter-clockwise rotation: S		Reversible pump External Drain	
Type	Order Code	Type	Order Code	Type	Order Code
AP200/4.5 D	200.1021.252.01	AP200/4.5 S	200.1021.253.01	APR200/4.5 ED	
AP200/6.5 D	200.1022.252.01	AP200/6.5 S	200.1022.253.01	APR200/6.5 ED	
AP200/8.5 D	200.1023.252.01	AP200/8.5 S	200.1023.253.01	APR200/8.5 ED	
AP200/11 D	200.1024.252.01	AP200/11 S	200.1024.253.01	APR200/11 ED	
AP200/15 D	200.1025.252.01	AP200/15 S	200.1025.253.01	APR200/15 ED	
AP200/19 D	200.1026.252.01	AP200/19 S	200.1026.253.01	APR200/19 ED	
AP200/22 D	200.1027.252.01	AP200/22 S	200.1027.253.01	APR200/22 ED	
AP200/26 D	200.1028.252.01	AP200/26 S	200.1028.253.01	APR200/26 ED	

**Accessories**

Flange connectors: RF221 - RF262 - RF216 - RF252 - RF217 - RF220.



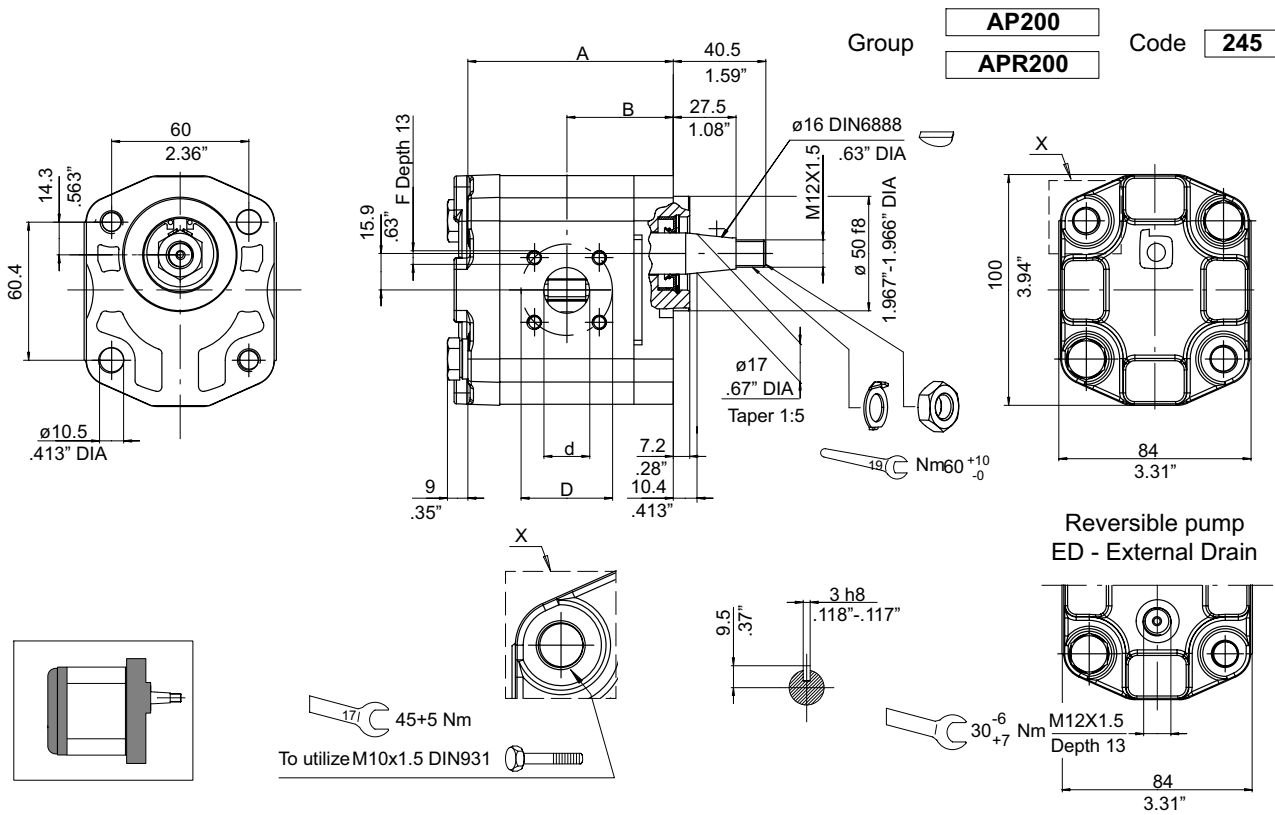
Type	Displacement cm <sup>3</sup> /rev	Dimensions				Suction					Pressure				
		A		B		d		D		F	d		D		F
		mm	inch	mm	inch	mm	inch	mm	inch	mm	mm	inch	mm	inch	mm
<b>AP200/4.5</b>	4.3	74	2.9	40	1.57	15	.59	40	1.58	M6X1	15	.59	35	1.38	M6X1
<b>AP200/6.5</b>	6.3														
<b>AP200/8.5</b>	8.3														
<b>AP200/11</b>	10.95	90	3.55	46.5	1.83	20	.79	40	1.58	M6X1	15	.59	35	1.38	M6X1
<b>AP200/15</b>	14.95														
<b>AP200/19</b>	18.9														
<b>AP200/22</b>	21.9	106	4.17	54.5	2.15										

Clockwise rotation: D		Counter-clockwise rotation: S		Reversible pump External Drain	
Type	Order Code	Type	Order Code	Type	Order Code
AP200/4.5 D	<b>200.1021.322.01</b>	AP200/4.5 S	<b>200.1021.323.01</b>	APR200/4.5 ED	
AP200/6.5 D	<b>200.1022.322.01</b>	AP200/6.5 S	<b>200.1022.323.01</b>	APR200/6.5 ED	
AP200/8.5 D	<b>200.1023.322.01</b>	AP200/8.5 S	<b>200.1023.323.01</b>	APR200/8.5 ED	
AP200/11 D	<b>200.1024.322.01</b>	AP200/11 S	<b>200.1024.323.02</b>	APR200/11 ED	
AP200/15 D	<b>200.1025.322.02</b>	AP200/15 S	<b>200.1025.353.01</b>	APR200/15 ED	
AP200/19 D	<b>200.1026.322.01</b>	AP200/19 S	<b>200.1026.323.01</b>	APR200/19 ED	
AP200/22 D	<b>200.1027.322.01</b>	AP200/22 S	<b>200.1027.323.01</b>	APR200/22 ED	

**Accessories**

Flange connectors: RF221 - RF262 - RF216 - RF252 - RF217 - RF220.

Splined couplings: GSH-2B-14 - GSH-2B-15 - GSH-2B-18



Type	Displacement cm <sup>3</sup> /rev	Dimensions				Suction			Pressure						
		A	B	d	D	F	d	D	F						
		mm	inch	mm	inch	mm	inch	mm	inch	mm	inch	mm	inch	mm	
AP200/4.5	4.3	74	2.9	40	1.57	15	.59	40	1.58	M6X1	15	.59	35	1.38	M6X1
AP200/6.5	6.3														
AP200/8.5	8.3														
AP200/11	10.95	90	3.55	46.5	1.83	20	.79	40	1.58	M6X1	15	.59	35	1.38	M6X1
AP200/15	14.95														
AP200/19	18.9														
AP200/22	21.9	106	4.17	54.5	2.15										

Clockwise rotation: D		Counter-clockwise rotation: S		Reversible pump External Drain	
Type	Order Code	Type	Order Code	Type	Order Code
AP200/4.5 D	200.1021.422.02	AP200/4.5 S	200.1021.423.02	APR200/4.5 ED	
AP200/6.5 D	200.1022.422.02	AP200/6.5 S	200.1022.423.02	APR200/6.5 ED	
AP200/8.5 D	200.1023.422.02	AP200/8.5 S	200.1023.423.02	APR200/8.5 ED	
AP200/11 D	200.1024.422.01	AP200/11 S	200.1024.423.01	APR200/11 ED	
AP200/15 D	200.1025.422.03	AP200/15 S	200.1025.423.01	APR200/15 ED	
AP200/19 D	200.1026.422.02	AP200/19 S	200.1026.423.02	APR200/19 ED	
AP200/22 D	200.1027.422.02	AP200/22 S	200.1027.423.01	APR200/22 ED	

**Accessories**

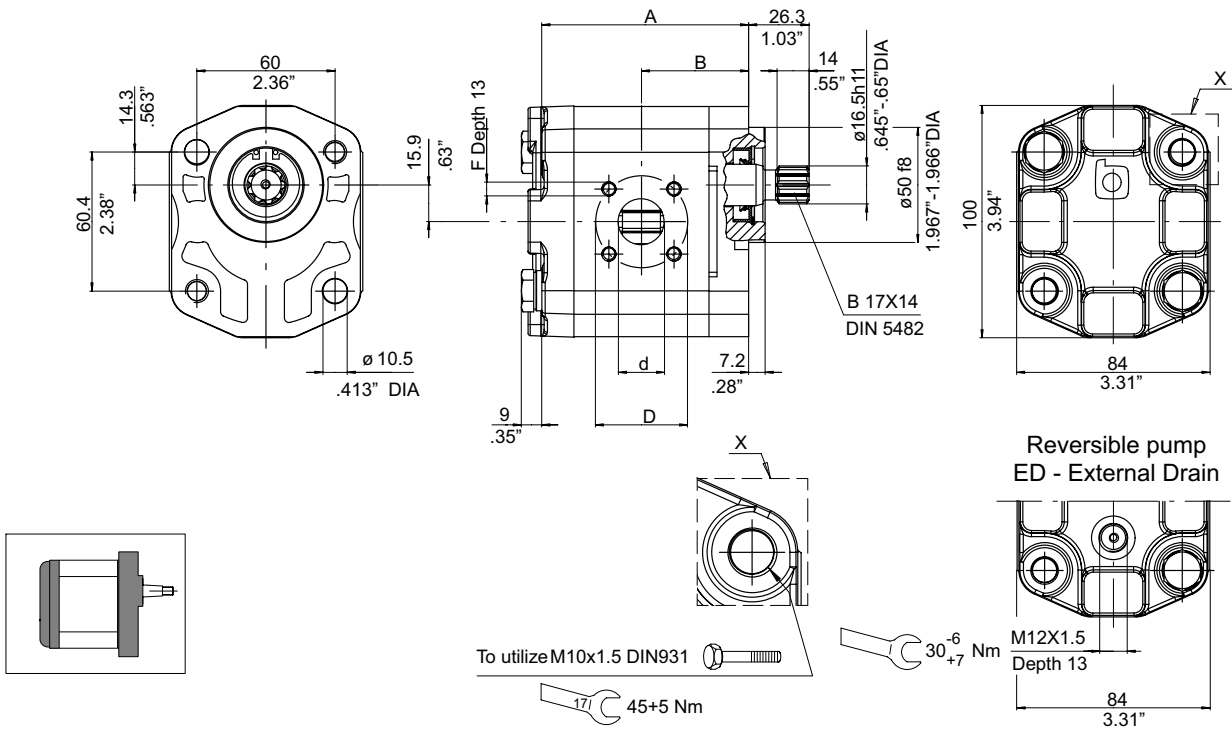
Flange connectors: RF221 - RF262 - RF216 - RF252 - RF217 - RF220.

Splined couplings: GSH-2B-14 - GSH-2B-15 - GSH-2B-18



Group **AP200**  
**APR200**

Code **237**



Type	Displacement cm <sup>3</sup> /rev	Dimensions				Suction						Pressure			
		A mm	inch	B mm	inch	d mm	inch	D mm	inch	F mm	d mm	inch	D mm	inch	F mm
<b>AP200/4.5</b>	4.3	74	2.9	40	1.57	15	.59	40	1.58	M6X1	15	.59	35	1.38	M6X1
<b>AP200/6.5</b>	6.3														
<b>AP200/8.5</b>	8.3														
<b>AP200/11</b>	10.95	90	3.55	46.5	1.83	20	.79	40	1.58	M6X1	15	.59	35	1.38	M6X1
<b>AP200/15</b>	14.95														
<b>AP200/19</b>	18.9	102	4	52.3	2.06	20	.79	40	1.58	M6X1	15	.59	35	1.38	M6X1
<b>AP200/22</b>	21.9	106	4.17	54.5	2.15										

Clockwise rotation: D		Counter-clockwise rotation: S		Reversible pump External Drain	
Type	Order Code	Type	Order Code	Type	Order Code
AP200/4.5 D		AP200/4.5 S		APR200/4.5 ED	
AP200/6.5 D		AP200/6.5 S		APR200/6.5 ED	
AP200/8.5 D	<b>200.1023.352.01</b>	AP200/8.5 S		APR200/8.5 ED	
AP200/11 D	<b>200.1024.352.02</b>	AP200/11 S		APR200/11 ED	
AP200/15 D		AP200/15 S		APR200/15 ED	
AP200/19 D		AP200/19 S		APR200/19 ED	
AP200/22 D	<b>200.1027.352.01</b>	AP200/22 S		APR200/22 ED	

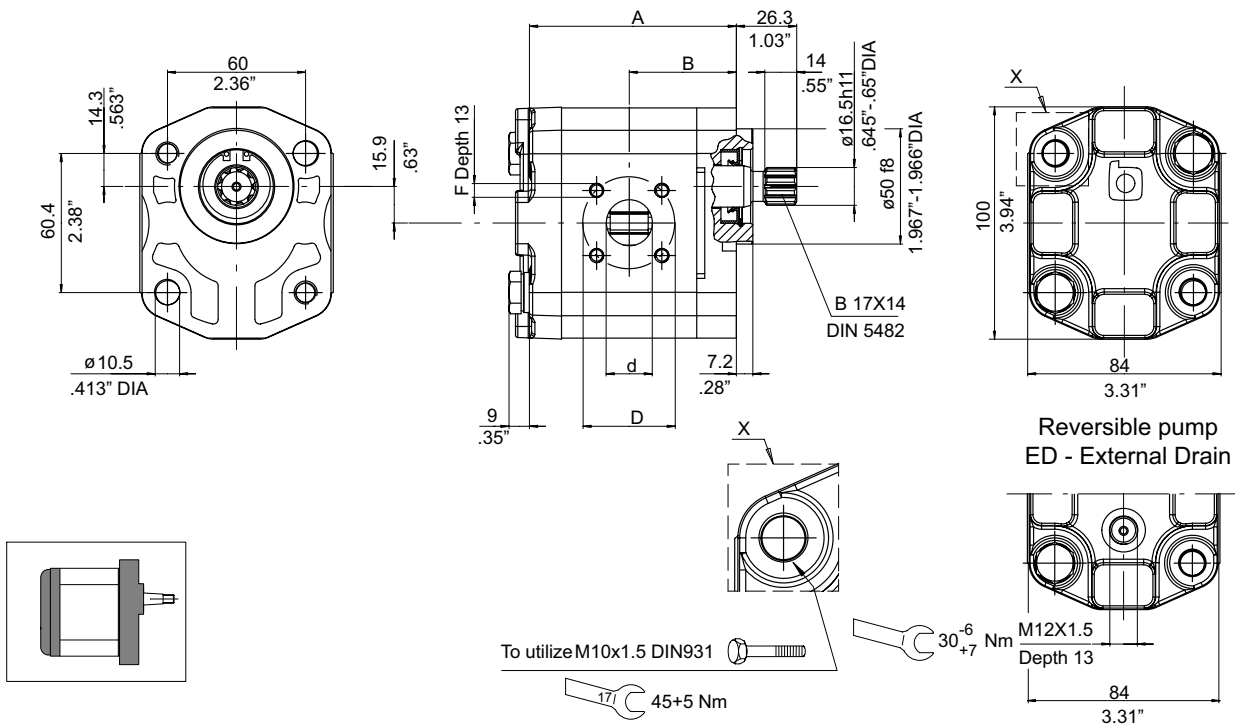
**Accessories**

Flange connectors: RF221 - RF262 - RF216 - RF252 - RF217 - RF220.

Splined couplings: GSH-2B-14 - GSH-2B-15 - GSH-2B-18

Group **AP200**  
**APR200**

Code **247**



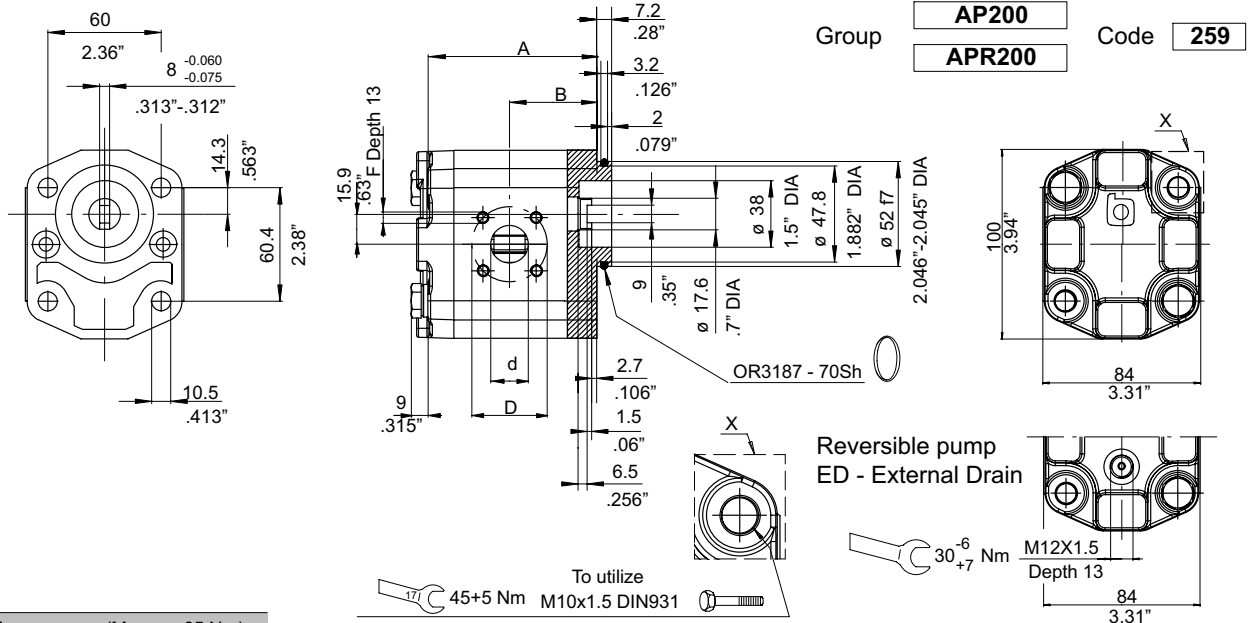
Type	Displacement cm <sup>3</sup> /rev	Dimensions				Suction					Pressure				
		A mm	inch	B mm	inch	d mm	inch	D mm	inch	F mm	d mm	inch	D mm	inch	F mm
<b>AP200/4.5</b>	4.3	74	2.9	40	1.57	15	.59	40	1.58	M6X1	15	.59	35	1.38	M6X1
<b>AP200/6.5</b>	6.3														
<b>AP200/8.5</b>	8.3														
<b>AP200/11</b>	10.95	90	3.55	46.5	1.83	20	.79	40	1.58	M6X1	15	.59	35	1.38	M6X1
<b>AP200/15</b>	14.95														
<b>AP200/19</b>	18.9	102	4	52.3	2.06	20	.79	40	1.58	M6X1	15	.59	35	1.38	M6X1
<b>AP200/22</b>	21.9	106	4.17	54.5	2.15										

Clockwise rotation: D		Counter-clockwise rotation: S		Reversible pump External Drain	
Type	Order Code	Type	Order Code	Type	Order Code
AP200/4.5 D		AP200/4.5 S		APR200/4.5 ED	
AP200/6.5 D		AP200/6.5 S		APR200/6.5 ED	
AP200/8.5 D	<b>200.1023.452.01</b>	AP200/8.5 S		APR200/8.5 ED	
AP200/11 D	<b>200.1024.452.02</b>	AP200/11 S	<b>200.1024.453.01</b>	APR200/11 ED	
AP200/15 D		AP200/15 S		APR200/15 ED	
AP200/19 D	<b>200.1026.452.01</b>	AP200/19 S	<b>200.1026.453.01</b>	APR200/19 ED	
AP200/22 D	<b>200.1027.452.01</b>	AP200/22 S		APR200/22 ED	

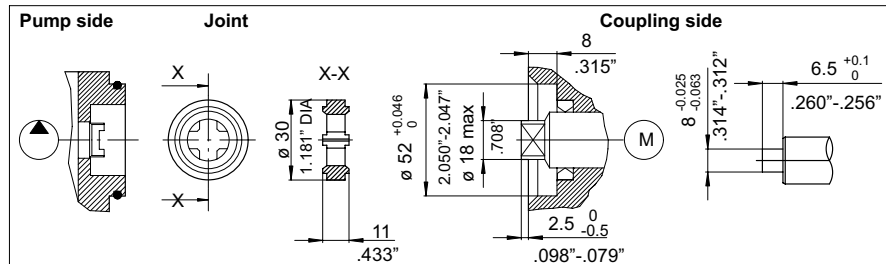
**Accessories**

Flange connectors: RF221 - RF262 - RF216 - RF252 - RF217 - RF220.

Splined couplings: GSH-2B-14 - GSH-2B-15 - GSH-2B-18



Max pressure (M max= 65 Nm)			
Pump	bar (PSI)		
	P1	P2	P3
AP200/15	180 (2600)	210 (3000)	230 (3300)
AP200/19	140 (2000)	165 (2400)	185 (2650)
AP200/22	120 (1700)	145 (2050)	165 (2350)
AP200/26	100 (1450)	120 (1750)	140 (2000)

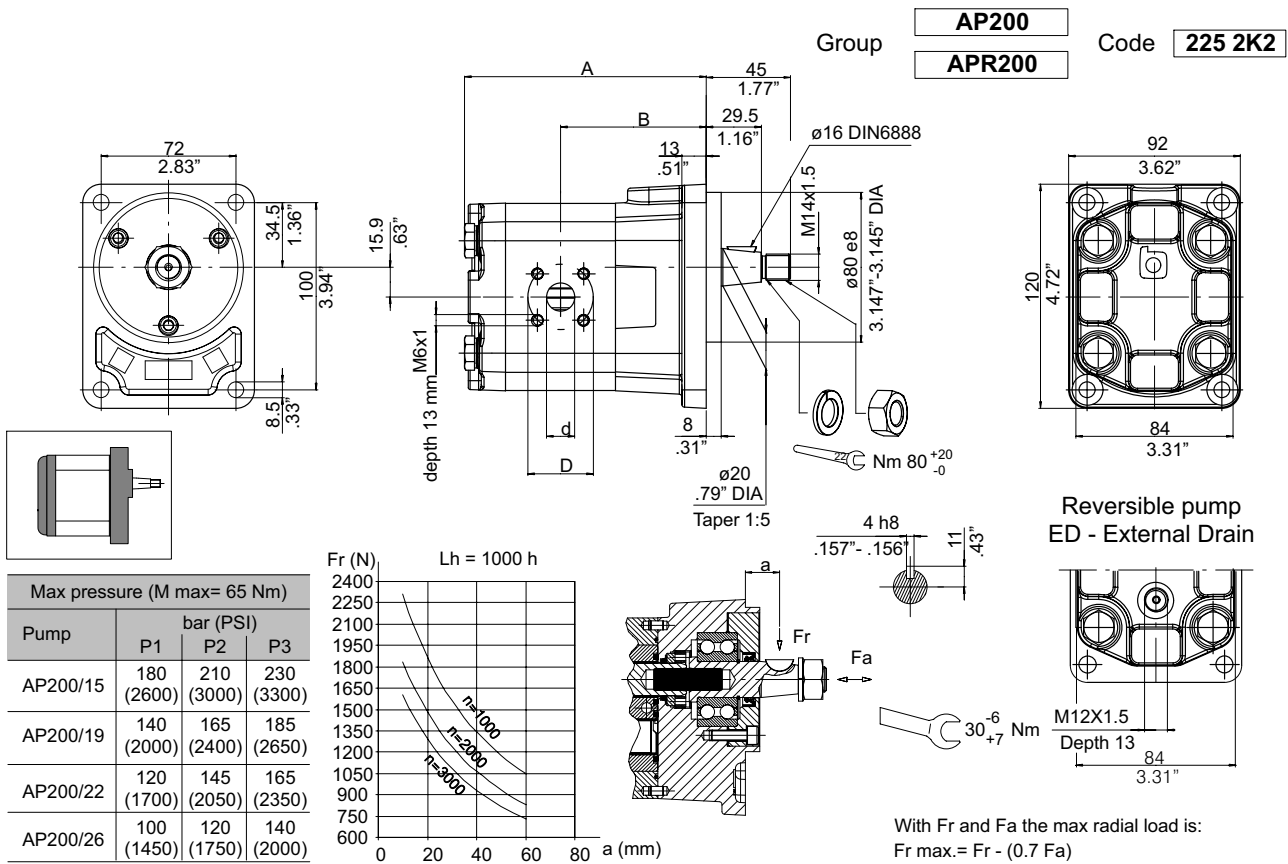


Type	Displacement cm <sup>3</sup> /rev	Dimensions				Suction				Pressure					
		A		B		d		D		d		D		F	
		mm	inch	mm	inch	mm	inch	mm	inch	mm	inch	mm	inch	mm	
AP200/4.5	4.3														
AP200/6.5	6.3	74	2.9	38.5	1.51	15	.59								
AP200/8.5	8.3														
AP200/11	10.95	90	3.54	46.5	1.83			40	1.58	M6X1	15	.59	35	1.38	M6X1
AP200/15	14.95					20	.79								
AP200/19	18.9	102	4	52.5	2.06										
AP200/22	21.9	106	4.2	54.8	2.16										

Clockwise rotation: D		Counter-clockwise rotation: S		Reversible pump External Drain	
Type	Order Code	Type	Order Code	Type	Order Code
AP200/4.5 D	200.1021.542.01	AP200/4.5 S	200.1021.543.02	APR200/4.5 ED	
AP200/6.5 D	200.1022.542.01	AP200/6.5 S	200.1022.543.01	APR200/6.5 ED	
AP200/8.5 D	200.1023.542.01	AP200/8.5 S	200.1023.543.01	APR200/8.5 ED	
AP200/11 D	200.1024.542.01	AP200/11 S	200.1024.543.01	APR200/11 ED	
AP200/15 D	200.1025.542.02	AP200/15 S	200.1025.543.01	APR200/15 ED	
AP200/19 D	200.1026.542.01	AP200/19 S	200.1026.543.01	APR200/19 ED	
AP200/22 D	200.1027.542.01	AP200/22 S	200.1027.543.01	APR200/22 ED	

**Accessories**

Flange connectors: RF221 - RF262 - RF216 - RF252 - RF217 - RF220.

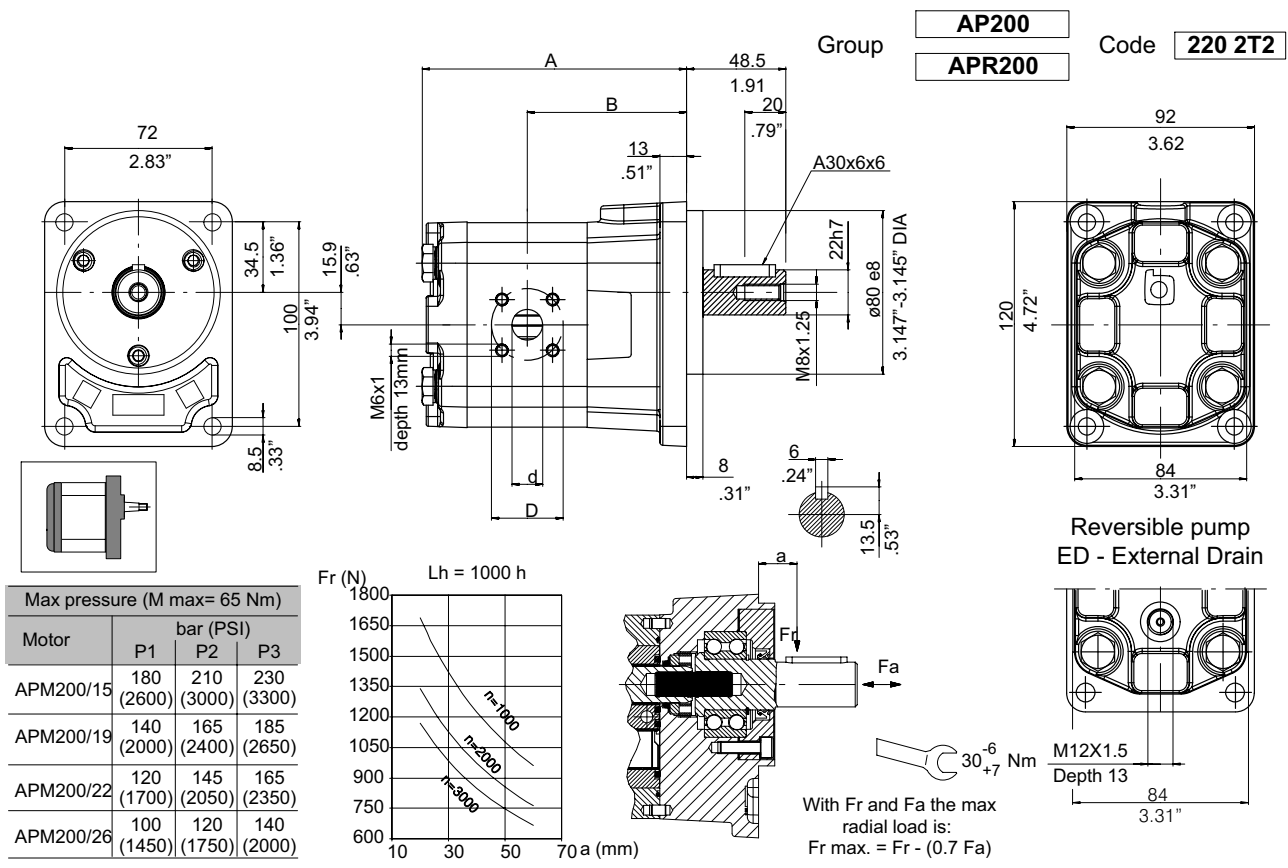


Type	Displacement cm <sup>3</sup> /rev	Dimensions				Suction			Pressure		
		A	B	d	D	F	d	D	F		
AP200/4.5	4.3	92	70	15	40	M6X1	15	35	M6X1		
AP200/6.5	6.3	92	70	15	40	M6X1	15	35	M6X1		
AP200/8.5	8.3	92	70	15	40	M6X1	15	35	M6X1		
AP200/11	10.95	100	78	20	40	M6X1	15	35	M6X1		
AP200/15	14.95	100	78	20	40	M6X1	15	35	M6X1		
AP200/19	18.9	106	84	20	40	M6X1	15	35	M6X1		
AP200/22	21.9	108	86	20	40	M6X1	15	35	M6X1		
AP200/26	25.9	108	86	20	40	M6X1	15	35	M6X1		

Clockwise rotation: D		Counter-clockwise rotation: S		Reversible pump External Drain	
Type	Order Code	Type	Order Code	Type	Order Code
AP200/4.5 D	<b>200.1021.222.05</b>	AP200/4.5 S		APR200/4.5 ED	
AP200/6.5 D		AP200/6.5 S		APR200/6.5 ED	
AP200/8.5 D		AP200/8.5 S		APR200/8.5 ED	
AP200/11 D		AP200/11 S		APR200/11 ED	
AP200/15 D		AP200/15 S		APR200/15 ED	
AP200/19 D	<b>200.1026.222.06</b>	AP200/19 S		APR200/19 ED	
AP200/22 D	<b>200.1027.222.07</b>	AP200/22 S		APR200/22 ED	
AP200/26 D	<b>200.1028.222.01</b>	AP200/26 S		APR200/26 ED	

**Accessories**

Flange connectors: RF221 - RF262 - RF216 - RF252 - RF217 - RF220.



Max pressure (M max= 65 Nm)			
Motor	bar (PSI)		
	P1	P2	P3
APM200/15	180 (2600)	210 (3000)	230 (3300)
APM200/19	140 (2000)	165 (2400)	185 (2650)
APM200/22	120 (1700)	145 (2050)	165 (2350)
APM200/26	100 (1450)	120 (1750)	140 (2000)

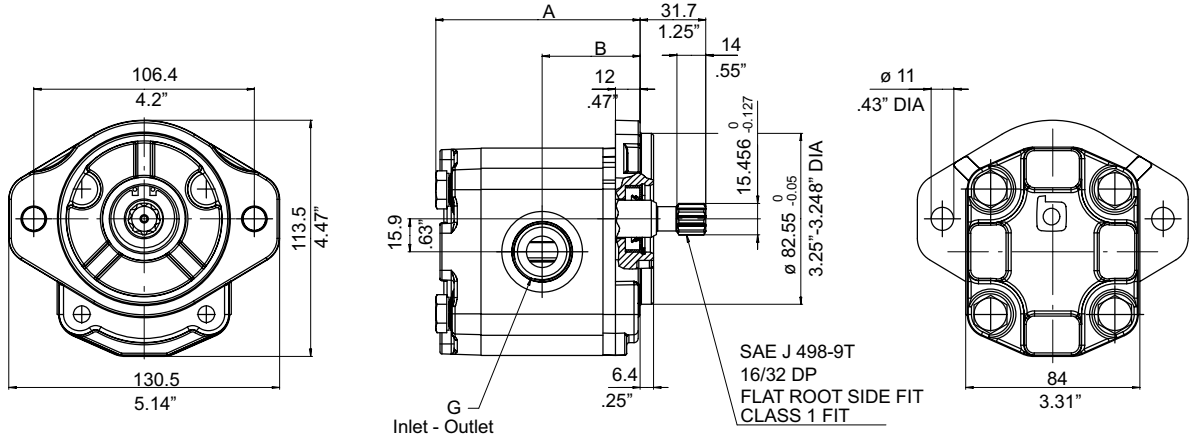
Type	Displacement cm <sup>3</sup> /rev	Dimensions				Suction					Pressure				
		A mm	inch	B mm	inch	d mm	inch	D mm	inch	F mm	d mm	inch	D mm	inch	F mm
AP200/4.5	4.3														
AP200/6.5	6.3	112	4.45	70	2.75	15	.59								
AP200/8.5	8.3														
AP200/11	10.95							40	1.58	M6X1	15	.59	35	1.38	M6X1
AP200/15	14.95	129	5.08	78	3.1										
AP200/19	18.9	141	5.55	84	3.30	20	.79								
AP200/22	21.9														
AP200/26	25.9	145	5.73	86	3.39										

Clockwise rotation: D		Counter-clockwise rotation: S		Reversible pump External Drain	
Type	Order Code	Type	Order Code	Type	Order Code
AP200/4.5 D		AP200/4.5 S		APR200/4.5 ED	
AP200/6.5 D		AP200/6.5 S		APR200/6.5 ED	
AP200/8.5 D		AP200/8.5 S		APR200/8.5 ED	
AP200/11 D		AP200/11 S		APR200/11 ED	
AP200/15 D		AP200/15 S		APR200/15 ED	
AP200/19 D		AP200/19 S		APR200/19 ED	
AP200/22 D		AP200/22 S		APR200/22 ED	
AP200/26 D		AP200/26 S		APR200/26 ED	

**Accessories**

Flange connectors: RF221 - RF262 - RF216 - RF252 - RF217 - RF220.

Group **AP200** Code **887S**  
**APR200**



Reversible pump  
ED - External Drain

100+10 Nm 1-1/16 12UNF

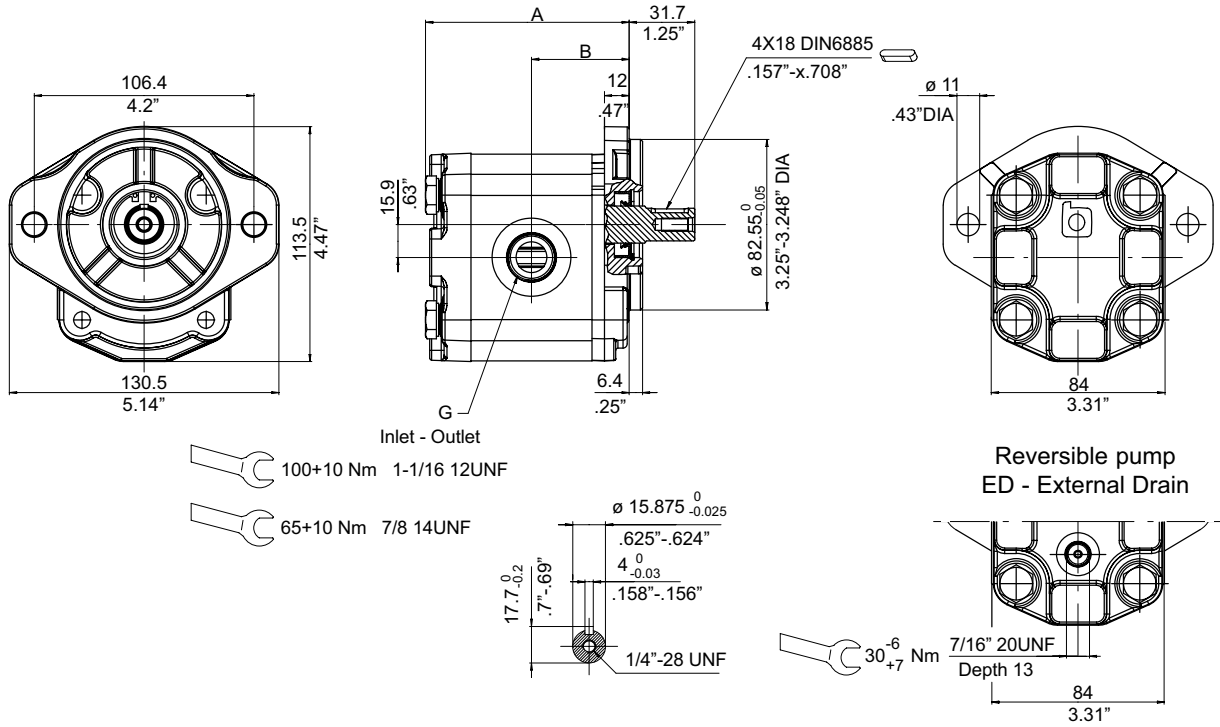
65+10 Nm 7/8 14UNF

30<sup>-6</sup>/<sub>+7</sub> Nm 7/16" 20UNF  
Depth 13  
84  
3.31"

Type	Displacement cm <sup>3</sup> /rev	Dimensions				Suction G 12UNF	Pressure G 14UNF
		A		B			
		mm	inch	mm	inch		
AP200/4.5	4.3	82.5	3.23	39.5	1.55	SAE12 1-1/16	SAE10 7/8
AP200/6.5	6.3						
AP200/8.5	8.3						
AP200/11	10.95	98.5	3.9	47.5	1.87		
AP200/15	14.95						
AP200/19	18.9	110.5	4.35	53.5	2.11		
AP200/22	21.9	115	4.53	55.5	2.18		
AP200/26	25.9						

Clockwise rotation: D		Counter-clockwise rotation: S		Reversible pump External Drain	
Type	Order Code	Type	Order Code	Type	Order Code
AP200/4.5 D	200.1021.862.02	AP200/4.5 S	200.1021.863.02	APR200/4.5 ED	
AP200/6.5 D	200.1022.862.02	AP200/6.5 S	200.1022.863.02	APR200/6.5 ED	
AP200/8.5 D	200.1023.862.02	AP200/8.5 S	200.1023.863.02	APR200/8.5 ED	
AP200/11 D	200.1024.862.01	AP200/11 S	200.1024.863.03	APR200/11 ED	
AP200/15 D	200.1025.862.04	AP200/15 S	200.1025.863.04	APR200/15 ED	
AP200/19 D	200.1026.862.02	AP200/19 S	200.1026.863.02	APR200/19 ED	
AP200/22 D	200.1027.862.02	AP200/22 S	200.1027.863.02	APR200/22 ED	
AP200/26 D	200.1028.862.02	AP200/26 S	200.1028.863.02	APR200/26 ED	

Group **AP200** Code **880**  
**APR200**

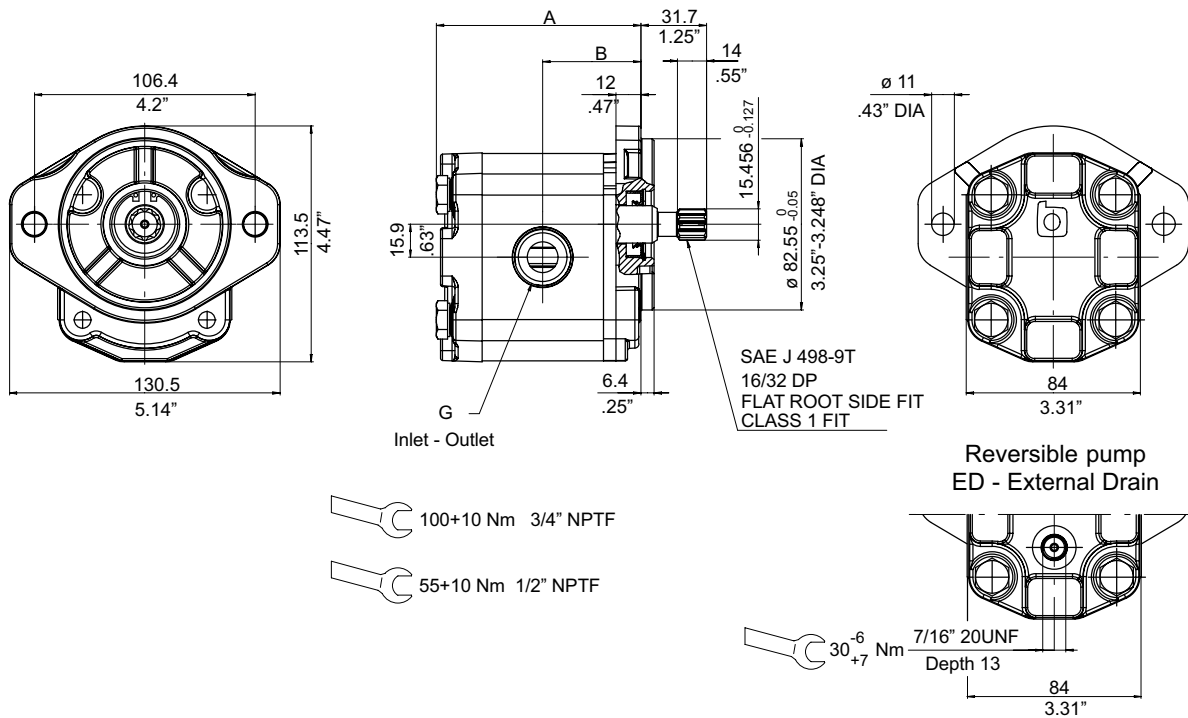


Type	Displacement cm <sup>3</sup> /rev	Dimensions				Suction G 12UNF	Pressure G 14UNF
		A		B			
		mm	inch	mm	inch		
AP200/4.5	4.3	82.5	3.23	39.5	1.55	SAE12 1-1/16	SAE10 7/8
AP200/6.5	6.3						
AP200/8.5	8.3						
AP200/11	10.95	98.5	3.9	47.5	1.87		
AP200/15	14.95	110.5	4.35	53.5	2.11		
AP200/19	18.9						
AP200/22	21.9						
AP200/26	25.9	115	4.53	55.5	2.18		

Clockwise rotation: D		Counter-clockwise rotation: S		Reversible pump External Drain	
Type	Order Code	Type	Order Code	Type	Order Code
AP200/4.5 D	<b>200.1021.802.02</b>	AP200/4.5 S	<b>200.1021.803.03</b>	APR200/4.5 ED	
AP200/6.5 D	<b>200.1022.802.02</b>	AP200/6.5 S	<b>200.1022.803.05</b>	APR200/6.5 ED	
AP200/8.5 D	<b>200.1023.802.02</b>	AP200/8.5 S	<b>200.1023.803.02</b>	APR200/8.5 ED	
AP200/11 D	<b>200.1024.802.02</b>	AP200/11 S	<b>200.1024.803.02</b>	APR200/11 ED	
AP200/15 D	<b>200.1025.802.02</b>	AP200/15 S	<b>200.1025.803.02</b>	APR200/15 ED	
AP200/19 D	<b>200.1026.802.02</b>	AP200/19 S	<b>200.1026.803.02</b>	APR200/19 ED	
AP200/22 D	<b>200.1027.802.02</b>	AP200/22 S	<b>200.1027.803.02</b>	APR200/22 ED	
AP200/26 D	<b>200.1028.802.02</b>	AP200/26 S	<b>200.1028.803.02</b>	APR200/26 ED	

Group **AP200**  
**APR200**

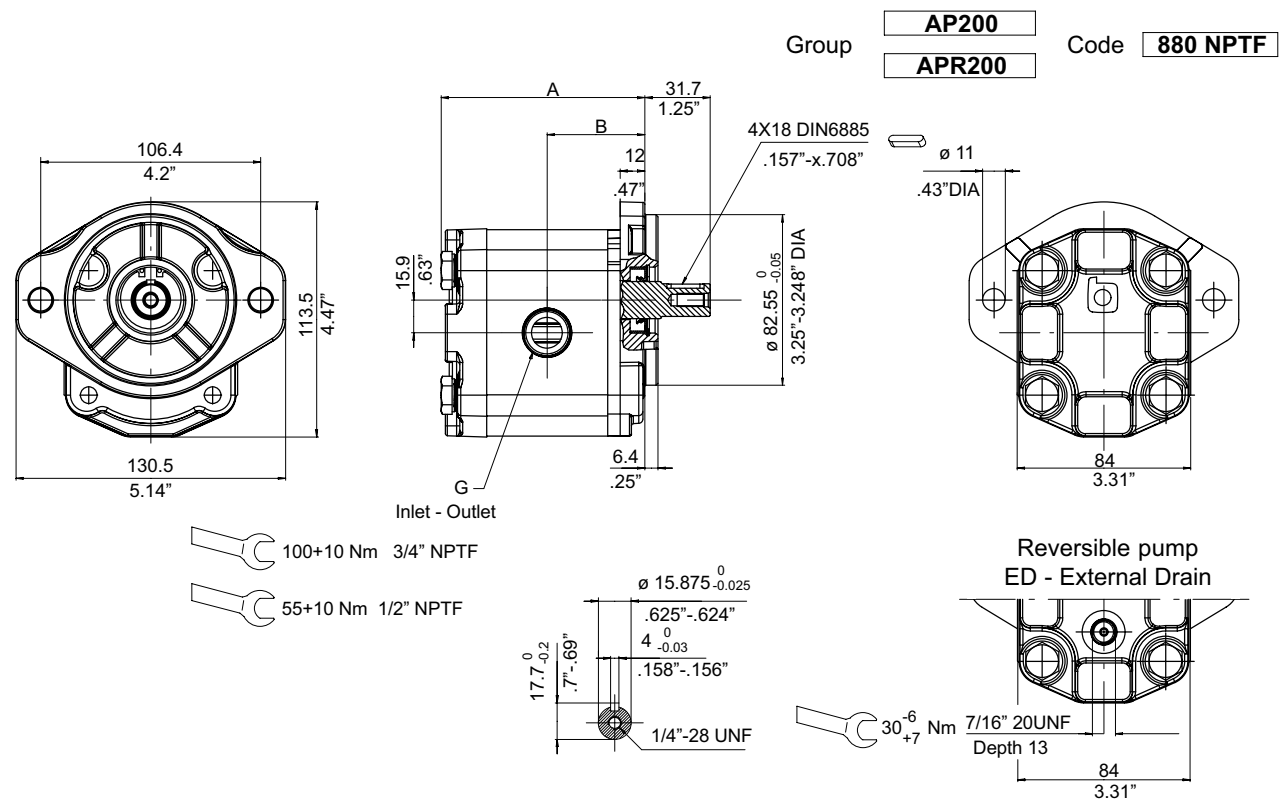
Code **887S NPTF**



Type	Displacement cm <sup>3</sup> /rev	Dimensions				Suction G NPTF	Pressure G NPTF
		A		B			
		mm	inch	mm	inch		
AP200/11	10.95	98.5	3.9	47.5	1.87	3/4"	1/2"
AP200/15	14.95						
AP200/19	18.9	110.5	4.35	53.5	2.11		
AP200/22	21.9	115	4.53	55.5	2.18		
AP200/26	25.9						

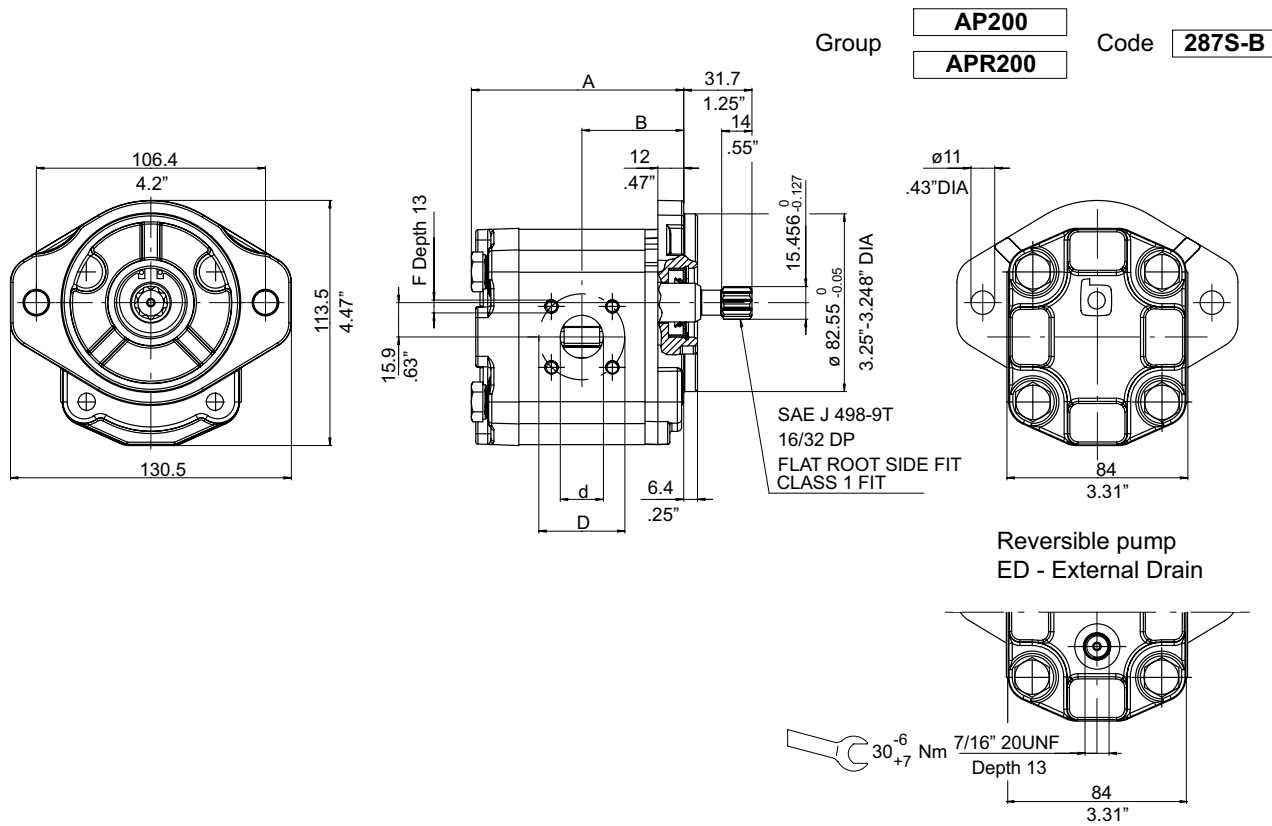
Clockwise rotation: D		Counter-clockwise rotation: S		Reversible pump External drain	
Type	Order Code	Type	Order Code	Type	Order Code
AP200/11 D		AP200/11 S		APR200/11 ED	
AP200/15 D		AP200/15 S		APR200/15 ED	
AP200/19 D		AP200/19 S		APR200/19 ED	
AP200/22 D		AP200/22 S		APR200/22 ED	
AP200/26 D		AP200/26 S		APR200/26 ED	





Type	Displacement cm <sup>3</sup> /rev	Dimensions				Suction G NPTF	Pressure G NPTF
		mm	inches	mm	inches		
AP200/4.5	4.3	82.5	3.23	39.5	1.55	1/2"	1/2"
AP200/6.5	6.3						
AP200/8.5	8.3						
AP200/11	10.95	98.5	3.9	47.5	1.87	3/4"	1/2"
AP200/15	14.95						
AP200/19	18.9	110.5	4.35	53.5	2.11		
AP200/22	21.9	115	4.53	55.5	2.18		
AP200/26	25.9						

Clockwise rotation: D		Counter-clockwise rotation: S		Reversible pump External drain	
Type	Order Code	Type	Order Code	Type	Order Code
AP200/4.5 D	200.1021.802.07	AP200/4.5 S	200.1021.803.05	APR200/4.5 ED	
AP200/6.5 D	200.1022.802.06	AP200/6.5 S	200.1022.803.08	APR200/6.5 ED	
AP200/8.5 D	200.1023.802.07	AP200/8.5 S	200.1023.803.04	APR200/8.5 ED	
AP200/11 D	200.1024.802.03	AP200/11 S		APR200/11 ED	
AP200/15 D	200.1025.802.03	AP200/15 S		APR200/15 ED	
AP200/19 D	200.1026.802.03	AP200/19 S		APR200/19 ED	
AP200/22 D	200.1027.802.03	AP200/22 S		AP200/22 ED	
AP200/26 D	200.1028.802.03	AP200/26 S		AP200/26 ED	



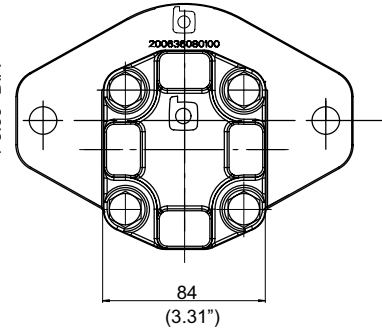
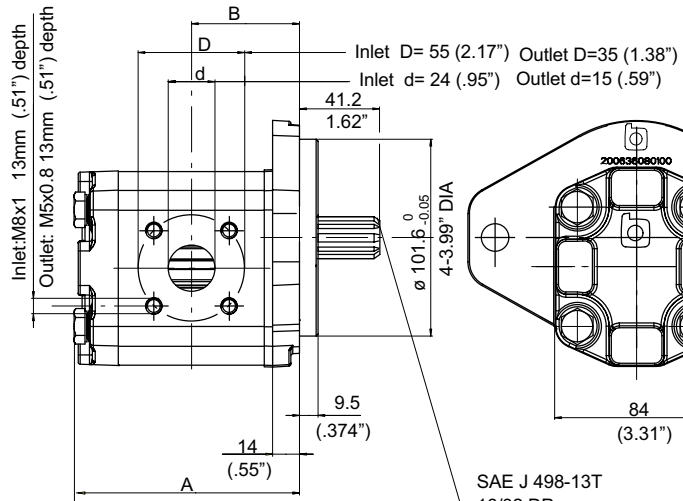
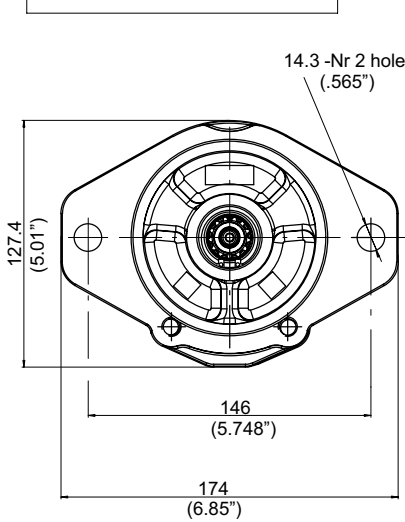
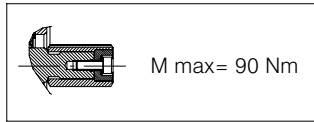
Type	Displacement cm <sup>3</sup> /rev	Dimensions				Suction			Pressure						
		A mm	inch	B mm	inch	d mm	inch	D mm	inch	F mm	d mm	inch	D mm	inch	F mm
AP200/4.5	4.3	82.5	3.23	39.5	1.55	15	.59	40	1.58	M6X1	13.5	.53	35	1.38	M6X1
AP200/6.5	6.3														
AP200/8.5	8.3														
AP200/11	10.95	98.5	3.9	47.5	1.87	20	.79	40	1.58	M6X1	13.5	.53	35	1.38	M6X1
AP200/15	14.95														
AP200/19	18.9	110.5	4.35	53.5	2.11	20	.79	40	1.58	M6X1	13.5	.53	35	1.38	M6X1
AP200/22	21.9	115	4.53	55.5	2.18										
AP200/26	25.9														

Clockwise rotation: D		Counter-clockwise rotation: S		Reversible pump External drain	
Type	Order Code	Type	Order Code	Type	Order Code
AP200/4.5 D	200.1021.862.01	AP200/4.5 S	200.1021.863.01	APR200/4.5 ED	
AP200/6.5 D	200.1022.862.01	AP200/6.5 S	200.1022.863.01	APR200/6.5 ED	
AP200/8.5 D	200.1023.862.01	AP200/8.5 S	200.1023.863.01	APR200/8.5 ED	
AP200/11 D	200.1024.862.04	AP200/11 S	200.1024.863.04	APR200/11 ED	
AP200/15 D	200.1025.862.02	AP200/15 S	200.1025.863.03	APR200/15 ED	
AP200/19 D	200.1026.862.01	AP200/19 S	200.1026.863.01	APR200/19 ED	
AP200/22 D	200.1027.862.01	AP200/22 S	200.1027.863.01	APR200/22 ED	
AP200/26 D	200.1028.862.01	AP200/26 S	200.1028.863.01	APR200/26 ED	

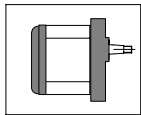
**Accessories**

Flange connectors: RF221 - RF262 - RF216 - RF252 - RF217 - RF220.

Group **AP200** Code **287S-SAEB**



SAE J 498-13T  
16/32 DP  
FLAT ROOT SIDE FIT  
CLASS 1 FIT.

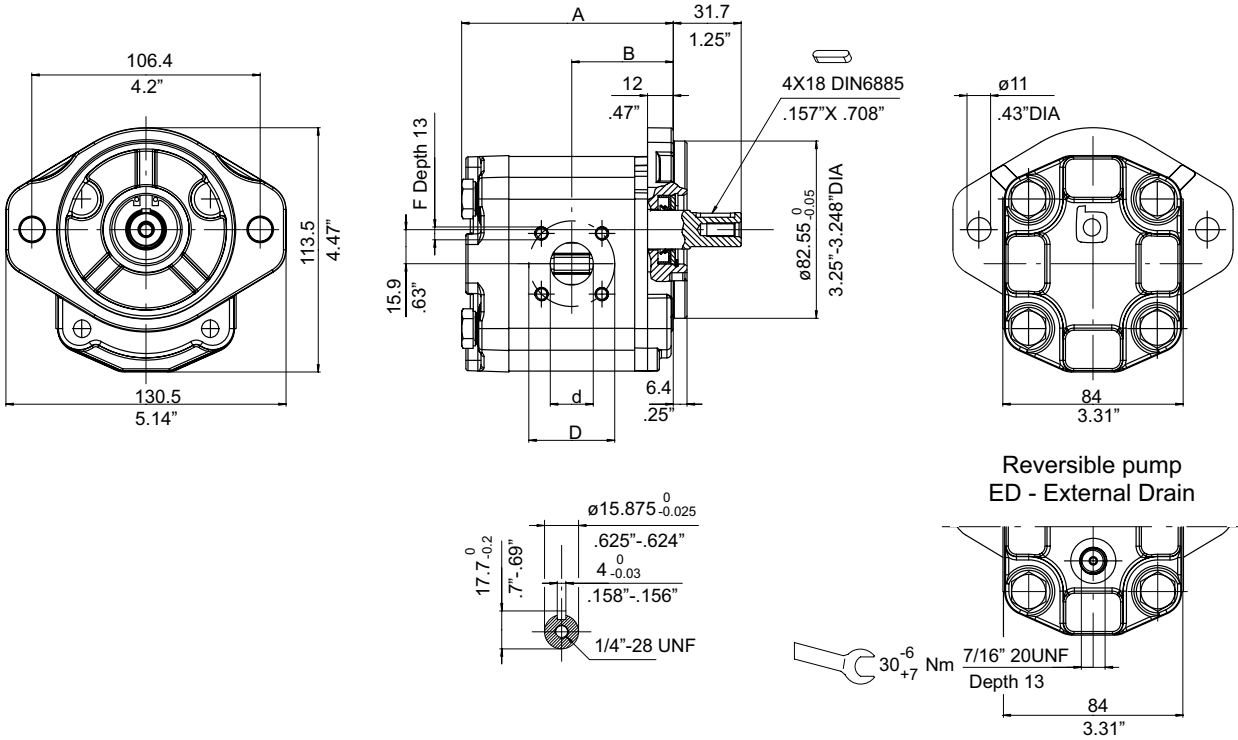


Type	Displacement cm <sup>3</sup> /rev	Dimensions				Suction					Pressure				
		A		B		d		D		F	d		D		F
		mm	inch	mm	inch	mm	inch	mm	inch	mm	mm	inch	mm	inch	mm
<b>AP200/19</b>	18.9	111	4.35	53.5	2.11	24	.95	55	2.17	M8x1	15	.59	35	1.38	M5x0.8
<b>AP200/22</b>	21.9	115	4.53	55.5	2.18										
<b>AP200/26</b>	25.9														

Clockwise rotation: D		Counter-clockwise rotation: S	
Type	Order Code	Type	Order Code
AP200/19 D		AP200/19 S	
AP200/22 D		AP200/22 S	
AP200/26 D		AP200/26 S	

Group **AP200**  
**APR200**

Code **280B**



Type	Displacement cm <sup>3</sup> /rev	Dimensions				Suction				Pressure					
		A mm	inch	B mm	inch	d mm	inch	D mm	inch	F mm	d mm	inch	D mm	inch	F mm
AP200/4.5	4.3	82.5	3.23	39.5	1.55	15	.59	40	1.58	M6X1	13.5	.53	35	1.38	M6X1
AP200/6.5	6.3														
AP200/8.5	8.3														
AP200/11	10.95	98.5	3.9	47.5	1.87	20	.79	40	1.58	M6X1	13.5	.53	35	1.38	M6X1
AP200/15	14.95														
AP200/19	18.9	110.5	4.35	53.5	2.11	20	.79	40	1.58	M6X1	13.5	.53	35	1.38	M6X1
AP200/22	21.9	115	4.53	55.5	2.18										
AP200/26	25.9														

Clockwise rotation: D		Counter-clockwise rotation: S		Reversible pump External drain	
Type	Order Code	Type	Order Code	Type	Order Code
AP200/4.5 D	200.1021.802.01	AP200/4.5 S	200.1021.803.02	APR200/4.5 ED	
AP200/6.5 D	200.1022.802.01	AP200/6.5 S	200.1022.803.01	APR200/6.5 ED	
AP200/8.5 D	200.1023.802.01	AP200/8.5 S	200.1023.803.01	APR200/8.5 ED	
AP200/11 D	200.1024.802.10	AP200/11 S	200.1024.803.01	APR200/11 ED	
AP200/15 D	200.1025.802.01	AP200/15 S	200.1025.803.01	APR200/15 ED	
AP200/19 D	200.1026.802.01	AP200/19 S	200.1026.803.01	APR200/19 ED	
AP200/22 D	200.1027.802.01	AP200/22 S	200.1027.803.01	APR200/22 ED	
AP200/26 D	200.1028.802.01	AP200/26 S	200.1028.803.01	APR200/26 ED	

**Accessories**

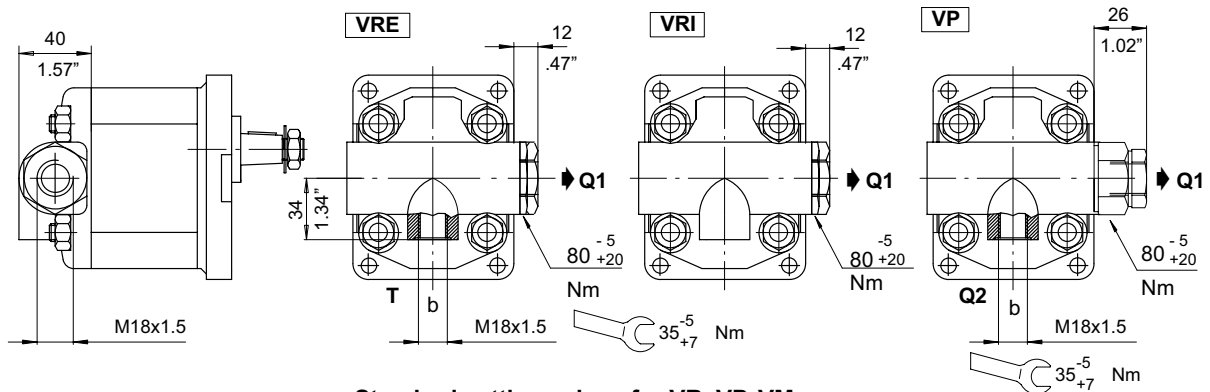
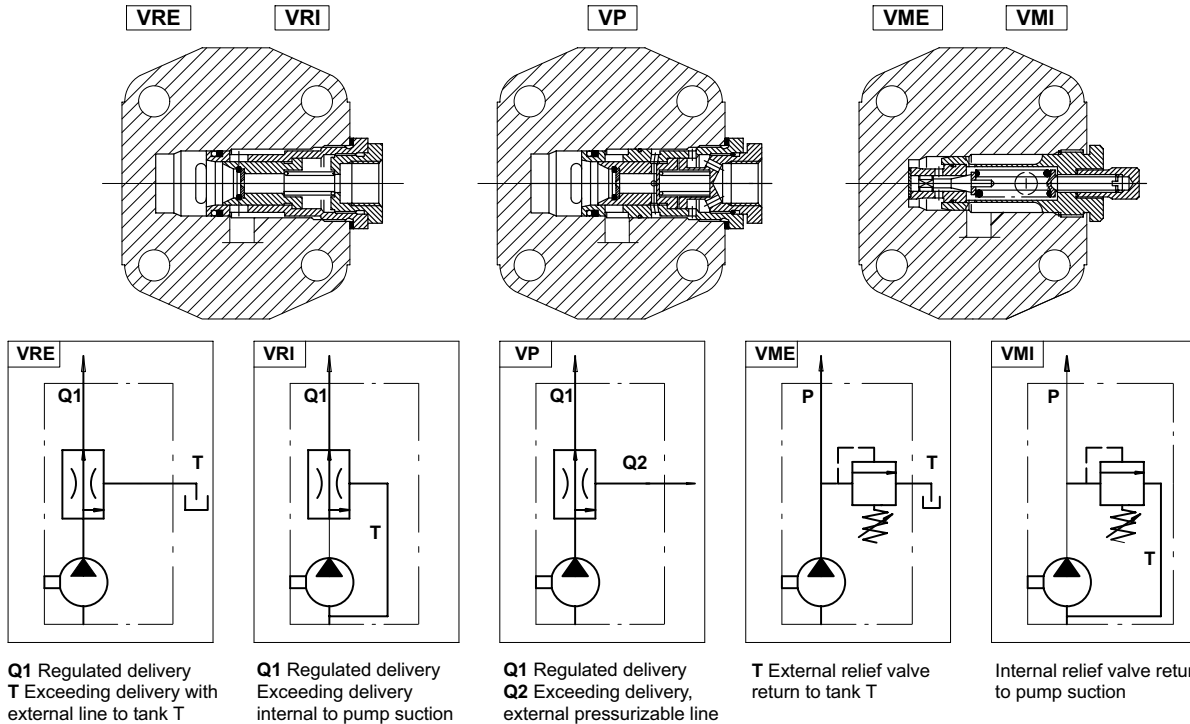
Flange connectors: RF221 - RF262 - RF216 - RF252 - RF217 - RF220.

**AP200 with built-in valves**

AP200 pumps (except pump code 259) can be provided by a rear cover with a built in flow control valve **VR** , priority

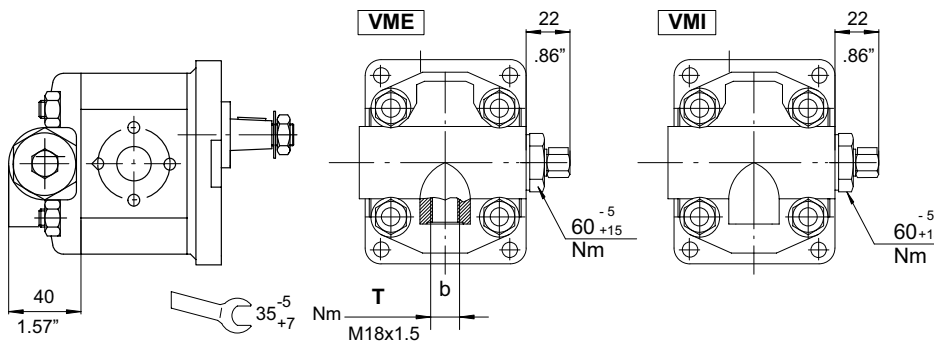
valve **VP** or pressure relief valve **VM**.

For the exemple composition product code see section 8



**Standard setting values for VR, VP, VM**

Type	VRE	VRI	02	03	05	06	08	09	12	16	19	23	Type	VP	02	03	05	06	08	10	13	16	20	24	
l/min	+15%	-10%	2	3.5	5	6	7.5	9	12	16	19	23	l/min	+15%	-10%	2.5	3.5	5	6	8.5	10.5	13	16	20	24



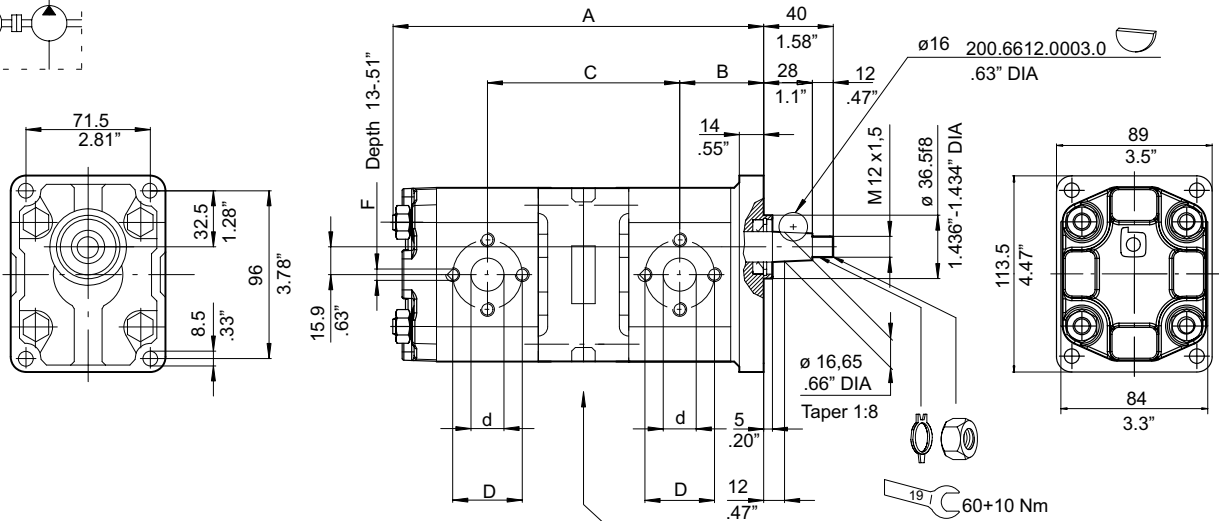
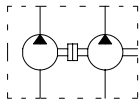
Type	VME	VMI	06	15
Bar	+10%		60	150

(spring **YE** with adjustment range from 30 up to 80 bar)

(spring **GR** with adjustment range from 70 up to 210 bar)

All the above drawings refer to clockwise rotation pumps.  
For the remaining dimensions look at the correspondent pump code.

Group **AP200** Code **2218**



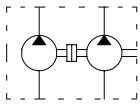
Displacement cm <sup>3</sup> /rev	Suction					Pressure				
	d	D	F	d	D	F	d	D	F	
mm	inch.	mm	inch.	mm	mm	inch.	mm	inch.	mm	
4.5	13.5	.53	30	1.2	6x1	13.5	.53	30	1.2	6x1
6.5										
8.5										
11	19	.75	40	1.57	8x1.25	19	.75	40	1.57	8x1.25
15										
19										
22										
26										

Displacement cm <sup>3</sup> /rev	A		B		C	
	mm	inch	mm	inch	mm	inch
4.5+4.5	163.5	6.4	40.5	1.6	78.5	3.10
6.5+4.5						
6.5+6.5						
8.5+4.5						
8.5+6.5						
8.5+8.5						
11+4.5	179.5	7.07	48.5	2	86.5	3.41
11+6.5						
11+8.5						
11+11						
15+4.5	179.5	7.07	48.5	2	86.5	3.41
15+6.5						
15+8.5						
15+11	199.5	7.85	48.5	2	94.5	3.72
15+15						
19+4.5						
19+6.5						
19+8.5						
19+11						

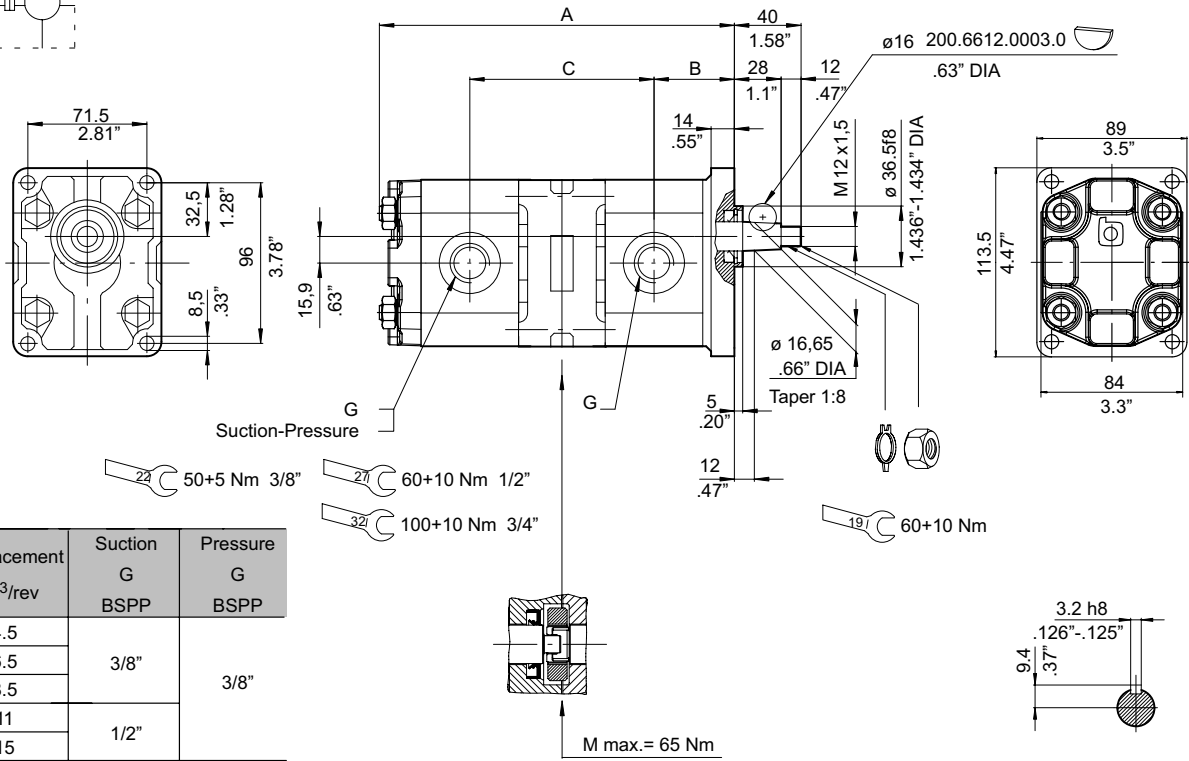
Displacement cm <sup>3</sup> /rev	A		B		C	
	mm	inch	mm	inch	mm	inch
19+11	211.5	8.32	54.5	2.1	100.5	3.96
19+15						
19+19						
22+4.5	196	7.72	56.5	2.3	95	3.74
22+6.5						
22+8.5						
22+11	216	8.50	56.5	2.3	103	4.06
22+15						
22+19						
22+22						
26+4.5	196	7.72	56.5	2.3	95	3.74
26+6.5						
26+8.5						
26+11	216	8.50	56.5	2.3	103	4.05
26+15						
26+19						
26+22						
26+26	231	9.09	56.5	2.3	111	4.37

**Accessories**

Flange connectors: RF201 - RF202 - RF207 - RF210 - RF212 - RF213 - RF223 - RF224 - RF225 - RF238 - RF246 - RF251  
 Splined couplings: GSH-2-14 - GSH-2-15 - GSH-2-18  
 See section 8.4 for an example of ordering code



Group **AP200** Code **8818**



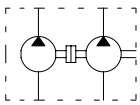
Displacement cm <sup>3</sup> /rev	Suction G BSP	Pressure G BSP
4.5	3/8"	3/8"
6.5		
8.5		
11	1/2"	
15	3/4"	1/2"
19		
22		
26		

Displacement cm <sup>3</sup> /rev	A		B		C					
	mm	inch	mm	inch	mm	inch				
4.5+4.5	163.5	6.4	40.5	1.6	78.5	3.10				
6.5+4.5										
6.5+6.5										
8.5+4.5										
8.5+6.5										
8.5+8.5										
11+4.5	179.5	7.07	48.5	2	86.5	3.41				
11+6.5										
11+8.5										
11+11										
15+4.5										
15+6.5										
15+8.5	199.5	7.85	48.5	2	94.5	3.72				
15+11										
15+15										
19+4.5					191.5	7.54	54.5	2.1	92.5	3.64
19+6.5										
19+8.5										

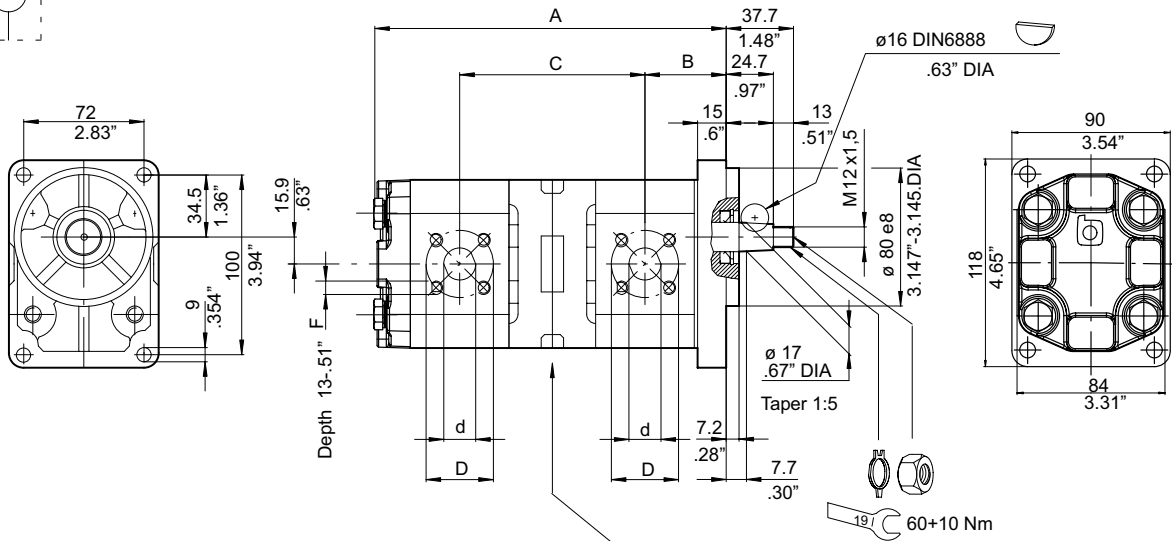
Displacement cm <sup>3</sup> /rev	A		B		C	
	mm	inch	mm	inch	mm	inch
19+11	211.5	8.32	54.5	2.1	100.5	3.96
19+15						
19+19						
22+4.5	196	7.72	56.5	2.3	95	3.74
22+6.5						
22+8.5						
22+11						
22+15						
22+19						
22+22	231	9.09	56.5	2.3	103	4.06
26+4.5						
26+6.5						
26+8.5						
26+11						
26+15						
26+19	226	8.90	56.5	2.3	109	4.29
26+22						
26+26						

**Accessories**

Splined couplings: GSH-2-14 - GSH-2-15 - GSH-2-18



Group **AP200** Code **2225**



Displacement cm <sup>3</sup> /rev	Suction					Pressure				
	d mm	d inch.	D mm	D inch.	F mm	d mm	d inch.	D mm	D inch.	F mm
4.5	15	.6	40	1.57	6x1	15	.6	35	1.38	6x1
6.5										
8.5										
11	20	.78	49.5	1.6	7x1	19	.75	40	1.57	7x1
15										
19										
22										

Displacement cm <sup>3</sup> /rev	A		B		C	
	mm	inch	mm	inch	mm	inch
4.5+4.5	164.5	6.48	41.5	1.6	78.5	3.09
6.5+4.5						
6.5+6.5						
8.5+4.5						
8.5+6.5						
8.5+8.5						
11+4.5	180.5	7.11	49.5	2	86.5	3.41
11+6.5						
11+8.5						
11+11	200.5	7.89	49.5	2	94.5	3.72
15+4.5						
15+6.5						
15+8.5						
15+11	200.5	7.89	49.5	2	94.5	3.72
15+15						

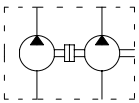
Displacement cm <sup>3</sup> /rev	A		B		C	
	mm	inch	mm	inch	mm	inch
19+4.5	192.5	7.58	55.5	2.2	92.5	3.64
19+6.5						
19+8.5						
19+11	212.5	8.37	57.5	2.3	100.5	3.96
19+15						
19+19						
22+4.5	197	7.76	57.5	2.3	95	3.74
22+6.5						
22+8.5						
22+11	217	8.54	57.5	2.3	115	4.5
22+15						
22+19						
22+22						
22+19	227	8.94	57.5	2.3	109	4.29
22+22						
22+22	232	9.13	57.5	2.3	111	4.37

**Accessories**

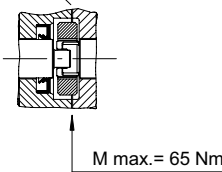
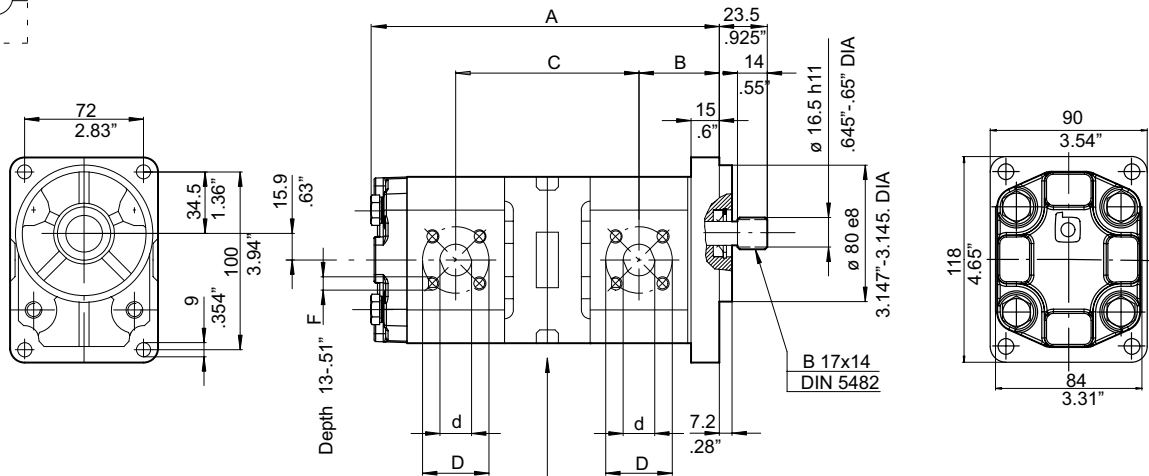
Flange connectors: RF221 - RF262 - RF216 - RF252 - RF217 - RF220.

Splined couplings: GSH-2-14 - GSH-2-15 - GSH-2-18





Group **AP200** Code **2227**



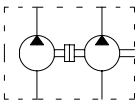
Displacement cm <sup>3</sup> /rev	Suction					Pressure				
	d mm	inch	D mm	inch	F mm	d mm	inch	D mm	inch	F mm
4.5	15	.6	40	1.57	6x1	15	.6	35	1.38	6x1
6.5										
8.5										
11	20	.78	40	1.57	6x1	15	.6	35	1.38	6x1
15										
19										
22										

Displacement cm <sup>3</sup> /rev	A		B		C			
	mm	inch	mm	inch	mm	inch		
4.5+4.5	164.5	6.48	41.5	1.6	78.5	3.09		
6.5+4.5								
6.5+6.5								
8.5+4.5								
8.5+6.5								
8.5+8.5								
11+4.5	180.5	7.11	49.5	2	86.5	3.41		
11+6.5								
11+8.5								
11+11	200.5	7.89			49.5	2	94.5	3.72
15+4.5								
15+6.5								
15+8.5								
15+11								
15+15	200.5	7.89	49.5	2	94.5	3.72		

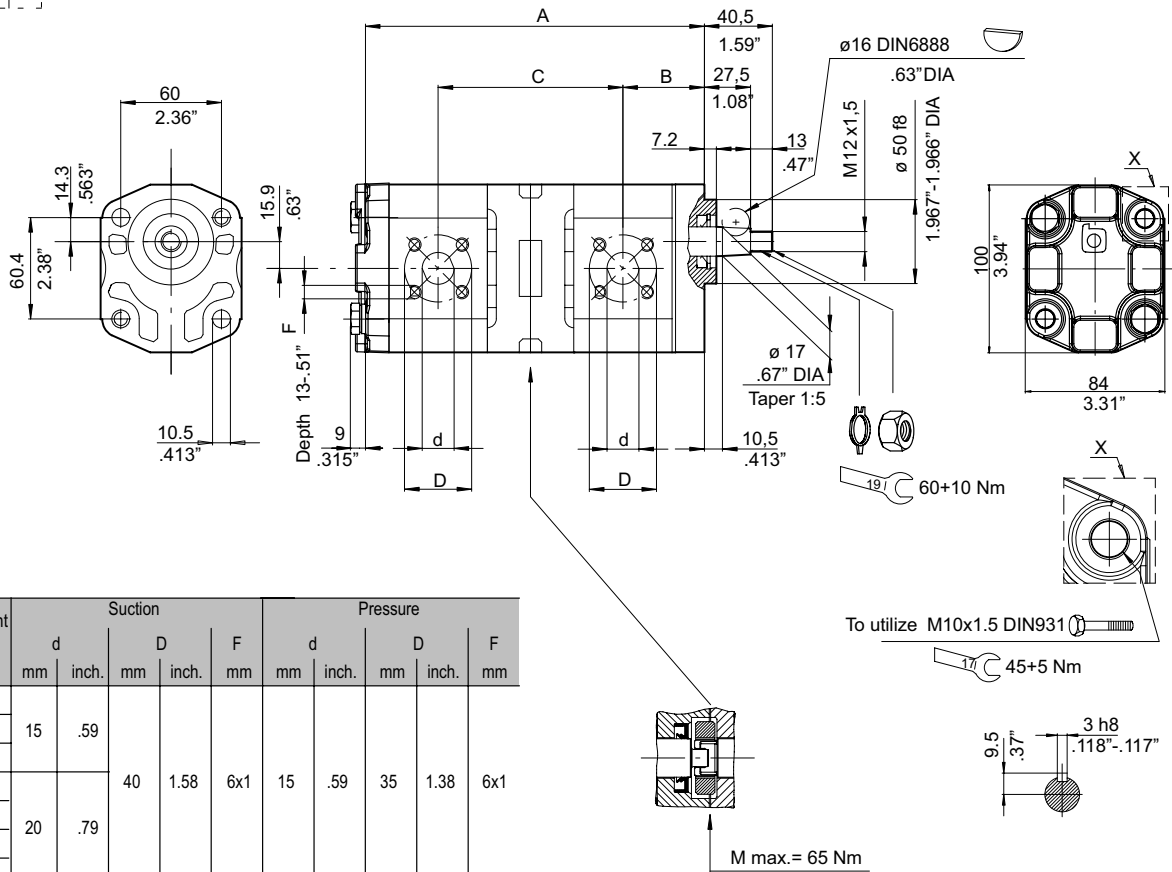
Displacement cm <sup>3</sup> /rev	A		B		C			
	mm	inch	mm	inch	mm	inch		
19+4.5	192.5	7.58	55.5	2.2	92.5	3.64		
19+6.5								
19+8.5								
19+11								
19+15	212.5	8.37	55.5	2.2	100.5	3.96		
19+19								
19+22								
22+4.5	197	7.76	57.5	2.3	95	3.74		
22+6.5								
22+8.5								
22+11	217	8.54			57.5	2.3	103	4.05
22+15								
22+19								
22+22								
22+25								

**Accessories**

Flange connectors: RF221 - RF262 - RF216 - RF252 - RF217 - RF220.



Group **AP200** Code **2235**



Displacement cm <sup>3</sup> /rev	Suction					Pressure				
	d mm	inch.	D mm	inch.	F mm	d mm	inch.	D mm	inch.	F mm
4.5	15	.59	40	1.58	6x1	15	.59	35	1.38	6x1
6.5										
8.5										
11	20	.79	40	1.58	6x1	15	.59	35	1.38	6x1
15										
19										
22										

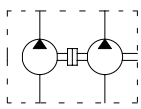
Displacement cm <sup>3</sup> /rev	A		B		C	
	mm	inch	mm	inch	mm	inch
4.5+4.5	152.5	6	38.5	1.5	78.5	3.09
6.5+4.5						
6.5+6.5						
8.5+4.5						
8.5+6.5						
8.5+8.5						
11+4.5	168.5	6.63	46.5	1.8	86.5	3.41
11+6.5						
11+8.5						
11+11						
15+4.5	184.5	7.26	46.5	1.8	94.5	3.72
15+6.5						
15+8.5						
15+11						
15+15	184.5	7.26	46.5	1.8	94.5	3.72

Displacement cm <sup>3</sup> /rev	A		B		C	
	mm	inch	mm	inch	mm	inch
19+4.5	180.5	7.11	52.5	2	92.5	3.64
19+6.5						
19+8.5						
19+11						
19+15	196.5	7.74	52.5	2	100.5	3.96
19+19						
19+22						
22+4.5	185	7.28	55	2.2	95	3.74
22+6.5						
22+8.5						
22+11	201	7.19	55	2.2	103	4.05
22+15						
22+19						
22+22						
22+19	213	8.39	55	2.2	109	4.29
22+22	218	8.58	55	2.2	111	4.37

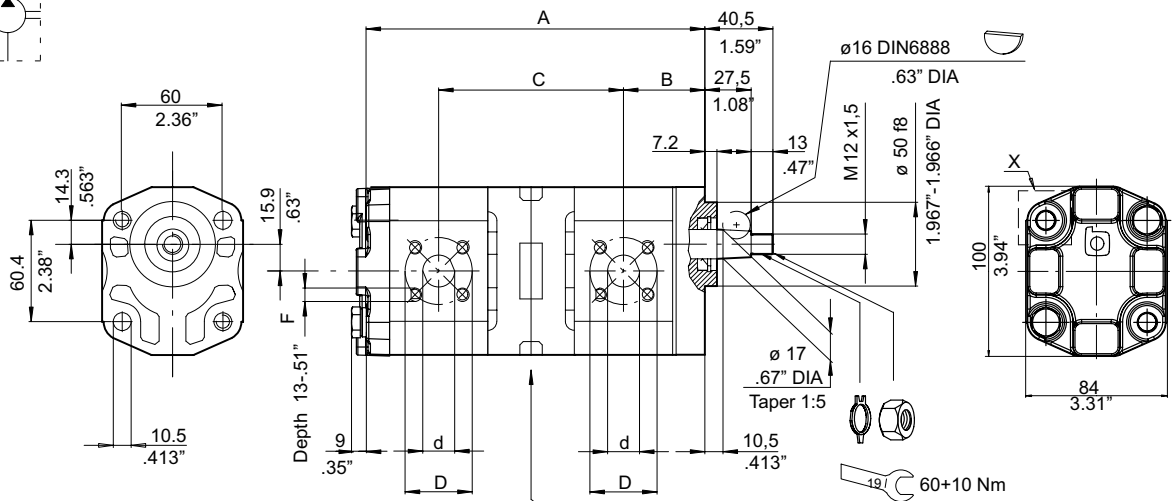
**Accessories**

Flange connectors: RF221 - RF262 - RF216 - RF252 - RF217 - RF220.

Splined couplings: GSH-2-14 - GSH-2-15 - GSH-2-18



Group **AP200** Code **2245**



Displacement cm <sup>3</sup> /rev	Suction				Pressure					
	d mm	inch	D mm	inch	F mm	d mm	inch	D mm	inch	F mm
4.5	15	.59	40	1.58	6x1	15	.59	35	1.38	6x1
6.5										
8.5										
11	20	.79	40	1.58	6x1	15	.59	35	1.38	6x1
15										
19										
22										

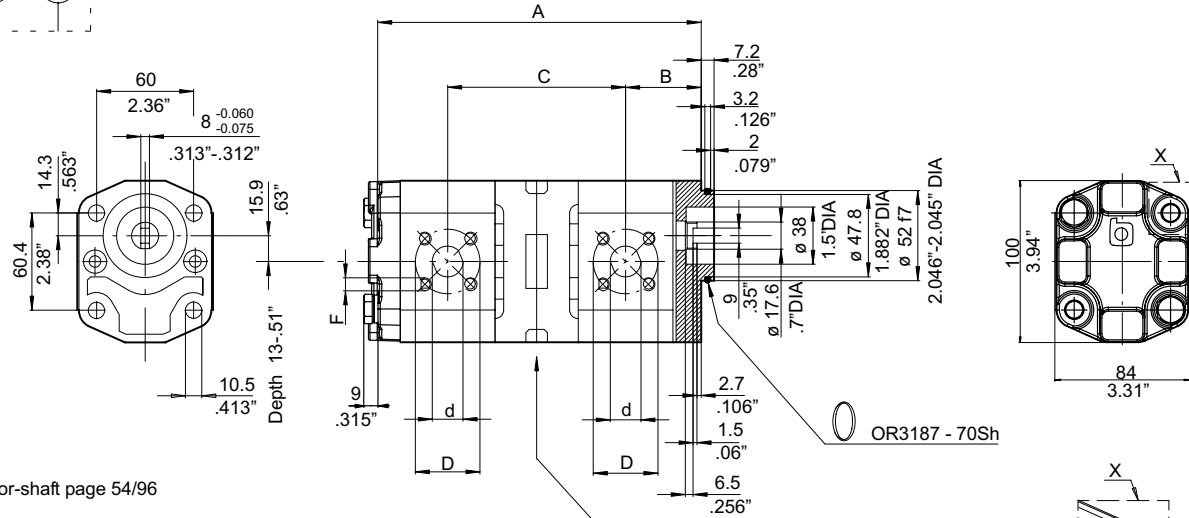
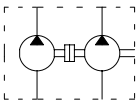
Displacement cm <sup>3</sup> /rev	A		B		C	
	mm	inch	mm	inch	mm	inch
4.5+4.5	152.5	6	38.5	1.5	78.5	3.09
6.5+4.5						
6.5+6.5						
8.5+4.5						
8.5+6.5						
8.5+8.5						
11+4.5	168.5	6.63	46.5	1.8	86.5	3.41
11+6.5						
11+8.5						
11+11						
15+4.5						
15+6.5						
15+8.5	184.5	7.26	46.5	1.8	94.5	3.72
15+11						
15+15	184.5	7.26	46.5	1.8	94.5	3.72

Displacement cm <sup>3</sup> /rev	A		B		C	
	mm	inch	mm	inch	mm	inch
19+4.5	180.5	7.11	52.5	2	92.5	3.64
19+6.5						
19+8.5						
19+11						
19+15	196.5	7.74	55	2.2	100.5	3.96
19+19	208.5	8.21			106.5	4.19
22+4.5	185	7.28			55	2.2
22+6.5						
22+8.5						
22+11	201	7.19	55	2.2	103	4.05
22+15	213	8.39			109	4.29
22+19	218	8.58			111	4.37
22+22	218	8.58			111	4.37

**Accessories**

Flange connectors: RF221 - RF262 - RF216 - RF252 - RF217 - RF220.

Splined couplings: GSH-2-14 - GSH-2-15 - GSH-2-18



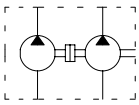
Motor-shaft page 54/96

Displacement cm <sup>3</sup> /rev	Suction			Pressure						
	d mm	inch	F mm	d mm	inch	F mm				
4.5	15	.59	40	1.58	M6x1	15	.59	35	1.38	M6x1
6.5										
8.5										
11	20	.79	40	1.58	M6x1	15	.59	35	1.38	M6x1
15										
19										

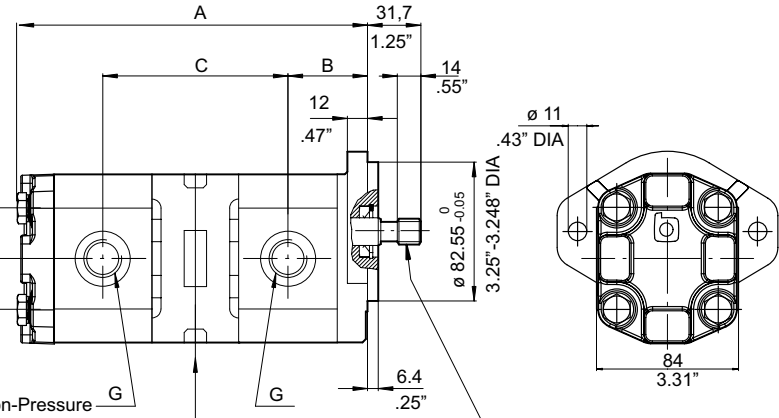
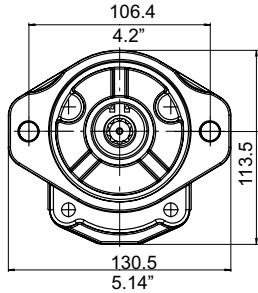
Displacement cm <sup>3</sup> /rev	A		B		C	
	mm	inch	mm	inch	mm	inch
4.5+4.5	152.5	6	38.5	1.5	78.5	3.09
6.5+4.5						
6.5+6.5						
8.5+4.5						
8.5+6.5						
8.5+8.5						
11+4.5	168.5	6.63	46.5	1.8	86.5	3.41
11+6.5						
11+8.5						
11+11	184.5	7.26	46.5	1.8	94.5	3.72
15+4.5						
15+6.5						
15+8.5	184.5	7.26	52.5	2	92.5	3.64
15+11						
15+15						
19+4.5	180.5	7.11	52.5	2	100.5	3.96
19+6.5						
19+8.5						
19+11	196.5	7.74	52.5	2	106.5	4.19
19+15						
19+19	208.5	8.21	52.5	2	106.5	4.19

**Accessories**

Flange connectors:  
RF221 - RF262 - RF216 - RF252 - RF217- RF220.



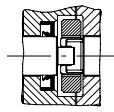
Group **AP200** Code **8887S**



100+10 Nm 1-1/16 12UNF  
65+10 Nm 7/8 14UNF

SAE J 498-9T  
16/32 DP  
FLAT ROOT SIDE FIT  
CLASS 1 FIT

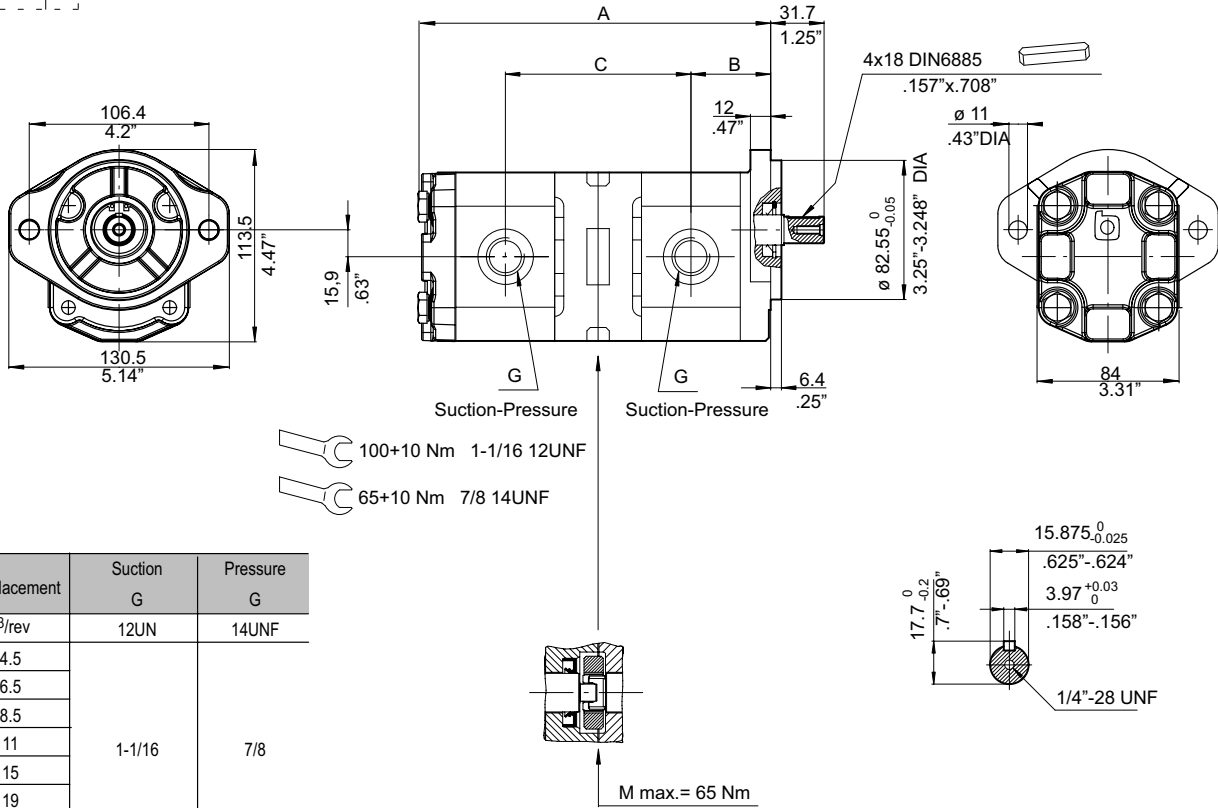
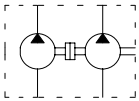
Displacement cm <sup>3</sup> /rev	Suction G 12UN	Pressure G 14UNF
4.5	1-1/16	7/8
6.5		
8.5		
11		
15		
19		
22		
26		



M max. = 65 Nm

Displacement cm <sup>3</sup> /rev	A		B		C	
	mm	inch	mm	inch	mm	inch
4.5+4.5	162.5	6.40	39.5	1.5	78.5	3.09
6.5+4.5						
6.5+6.5						
8.5+4.5						
8.5+6.5						
8.5+8.5						
11+4.5	178.5	7.03	47.5	1.9	86.5	3.41
11+6.5						
11+8.5						
11+11						
15+4.5						
15+6.5	198.5	7.81	94.5	3.72	94.5	3.72
15+8.5						
15+11						
15+15	190.5	7.5	53.5	2.1	92.5	3.64
19+4.5						
19+6.5						
19+8.5						

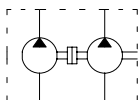
Displacement cm <sup>3</sup> /rev	A		B		C	
	mm	inch	mm	inch	mm	inch
19+11	210.5	8.29	53.5	2.1	100.5	3.96
19+15						
19+19						
22+4.5	195	7.68	55.5	2.2	95	3.74
22+6.5						
22+8.5						
22+11						
22+15	215	8.46	103	4.06	103	4.06
22+19						
22+22						
26+4.5						
26+6.5						
26+8.5	230	9.06	109	4.29	109	4.29
26+11						
26+15						
26+19	225	8.86	111	4.37	111	4.37
26+22						
26+26	230	9.06	111	4.37	111	4.37



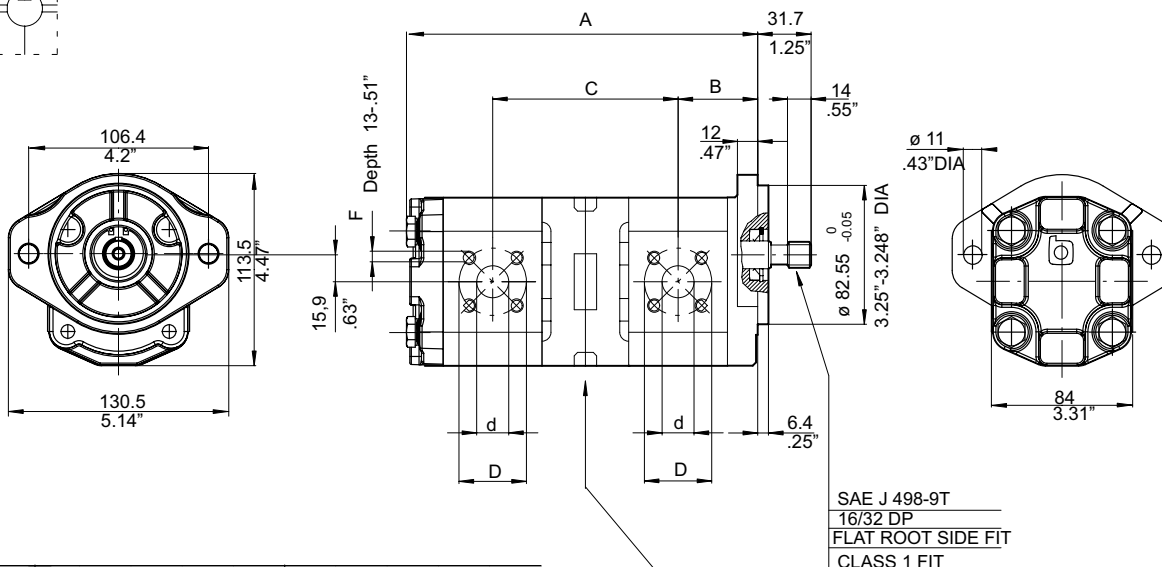
Displacement	Suction G	Pressure G
cm <sup>3</sup> /rev	12UN	14UNF
4.5	1-1/16	7/8
6.5		
8.5		
11		
15		
19		
22		
26		

Displacement	A		B		C	
	mm	inch	mm	inch	mm	inch
4.5+4.5	162.5	6.40	39.5	1.5	78.5	3.09
6.5+4.5						
6.5+6.5						
8.5+4.5						
8.5+6.5						
8.5+8.5						
11+4.5	178.5	7.03	47.5	1.9	86.5	3.41
11+6.5						
11+8.5						
11+11						
15+4.5						
15+6.5						
15+8.5	198.5	7.81	47.5	1.9	94.5	3.72
15+11						
15+15						
19+4.5						
19+6.5						
19+8.5						
19+8.5	190.5	7.5	53.5	2.1	92.5	3.64

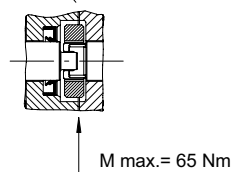
Displacement	A		B		C	
	mm	inch	mm	inch	mm	inch
19+11	210.5	8.29	53.5	2.1	100.5	3.96
19+15						
19+19						
22+4.5	195	7.68	55.5	2.2	95	3.74
22+6.5						
22+8.5						
22+11						
22+15						
22+19						
22+22	225	8.86	109	4.29		
26+4.5	230	9.06	55.5	2.2	111	4.37
26+6.5						
26+8.5						
26+11						
26+15						
26+19						
26+22	230	9.06	111	4.37		
26+26	230	9.06	111	4.37		



Group **AP200** Code **2287S-B**



Displacement cm <sup>3</sup> /rev	Suction			Pressure						
	d mm	D inch.	F mm	d mm	D inch.	F mm				
4.5	15	.6	40	1.57	6x1	15	.6	35	1.38	6x1
6.5										
8.5										
11	20	.78	40	1.57	6x1	15	.6	35	1.38	6x1
15										
19										
22										
26										

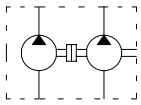


Displacement cm <sup>3</sup> /rev	A		B		C	
	mm	inch	mm	inch	mm	inch
4.5+4.5	162.5	6.40	39.5	1.5	78.5	3.09
6.5+4.5						
6.5+6.5						
8.5+4.5						
8.5+6.5						
8.5+8.5						
11+4.5	178.5	7.03	47.5	1.9	86.5	3.41
11+6.5						
11+8.5						
11+11						
15+4.5	178.5	7.03	47.5	1.9	86.5	3.41
15+6.5						
15+8.5						
15+11	198.5	7.81	47.5	1.9	94.5	3.72
15+15						
19+4.5	190.5	7.5	53.5	2.1	92.5	3.64
19+6.5						
19+8.5						

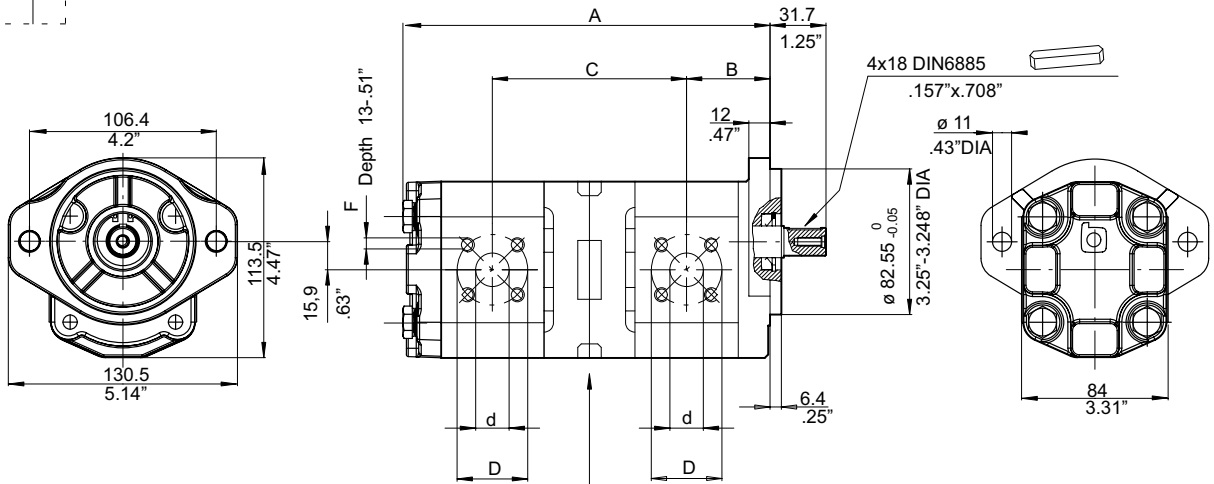
Displacement cm <sup>3</sup> /rev	A		B		C	
	mm	inch	mm	inch	mm	inch
19+11	210.5	8.29	53.5	2.1	100.5	3.96
19+15						
19+19						
22+4.5	195	7.68	55.5	2.2	95	3.74
22+6.5						
22+8.5						
22+11						
22+15	215	8.46	55.5	2.2	103	4.06
22+19						
22+22	230	9.06	55.5	2.2	109	4.29
26+4.5						
26+6.5						
26+8.5	195	7.68	55.5	2.2	95	3.74
26+11						
26+15	215	8.46	55.5	2.2	103	4.06
26+19						
26+22	225	8.86	55.5	2.2	109	4.29
26+26						

**Accessories**

Flange connectors: RF221 - RF262 - RF216 - RF252 - RF217 - RF220.



Group **AP200** Code **2280-B**



Displacement cm <sup>3</sup> /rev	Suction				Pressure					
	d mm	d inch.	D mm	F inch.	d mm	d inch.	D mm	F mm		
4.5	15	.6	40	1.57	6x1	15	.6	35	1.38	6x1
6.5										
8.5										
11	20	.78	40	1.57	6x1	15	.6	35	1.38	6x1
15										
19										
22										
26										

Displacement cm <sup>3</sup> /rev	A		B		C	
	mm	inch	mm	inch	mm	inch
4.5+4.5	162.5	6.40	39.5	1.5	78.5	3.09
6.5+4.5						
6.5+6.5						
8.5+4.5						
8.5+6.5						
8.5+8.5						
11+4.5	178.5	7.03	47.5	1.9	86.5	3.41
11+6.5						
11+8.5						
11+11						
15+4.5						
15+6.5	178.5	7.03	47.5	1.9	86.5	3.41
15+8.5						
15+11						
15+15	198.5	7.81	47.5	1.9	94.5	3.72
19+4.5						
19+6.5						
19+8.5						
19+11	190.5	7.5	53.5	2.1	92.5	3.64
19+15						
19+19						
19+22						

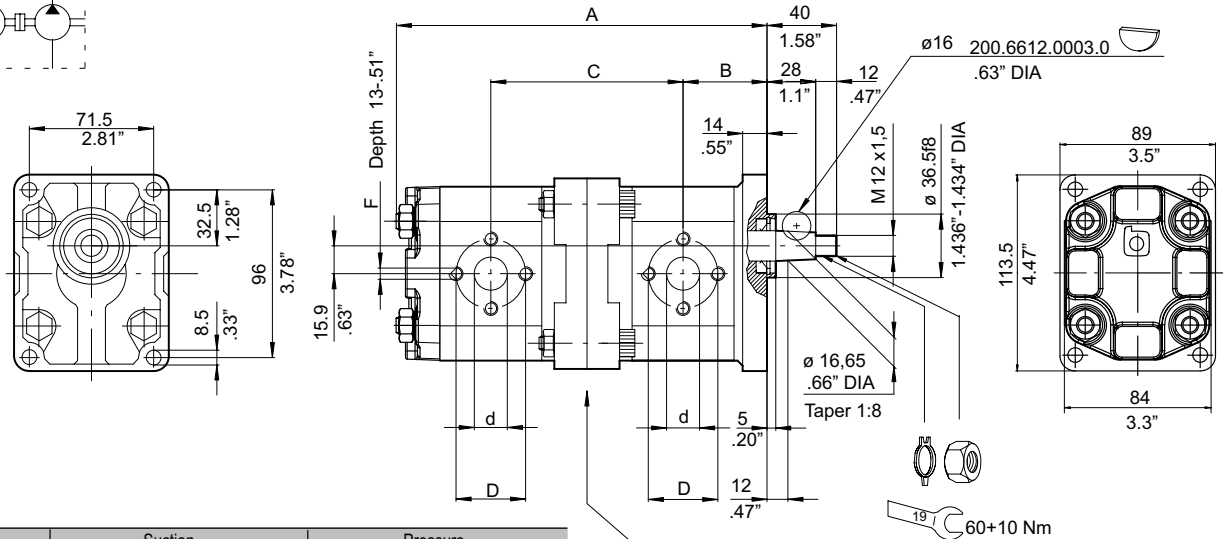
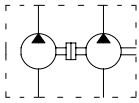
Displacement cm <sup>3</sup> /rev	A		B		C	
	mm	inch	mm	inch	mm	inch
19+11	210.5	8.29	53.5	2.1	100.5	3.96
19+15						
19+19						
22+4.5	195	7.68	55.5	2.2	95	3.74
22+6.5						
22+8.5						
22+11	215	8.46	55.5	2.2	103	4.06
22+15						
22+19						
22+22						
26+4.5	195	7.68	55.5	2.2	95	3.74
26+6.5						
26+8.5						
26+11	215	8.46	55.5	2.2	103	4.06
26+15						
26+19						
26+22						
26+26	230	9.06	55.5	2.2	111	4.37
26+22						

**Accessories**

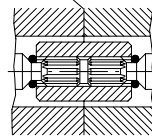
Flange connectors: RF221 - RF262 - RF216 - RF252 - RF217 - RF220.



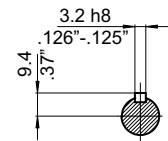
Group **AP202** Code **2218**



Displacement cm <sup>3</sup> /rev	Suction					Pressure				
	d	D	F	d	D	F	d	D	F	
mm	inch	mm	inch	mm	mm	inch	mm	inch	mm	
4.5	13.5	.53	30	1.2	6x1	13.5	.53	30	1.2	6x1
6.5										
8.5										
11	19	.75	40	1.57	8x1.25	19	.75	40	1.57	8x1.25
15										
19										
22										
26										



M max. = 85 Nm

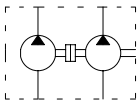


Displacement cm <sup>3</sup> /rev	A		B		C							
	mm	inch	mm	inch	mm	inch						
4.5+4.5	175.5	7	40.5	1.6	90.5	3.56						
6.5+4.5												
6.5+6.5												
8.5+4.5												
8.5+6.5												
8.5+8.5												
11+4.5	191.5	7.5	48.5	2	98.5	3.88						
11+6.5												
11+8.5												
11+11												
15+4.5												
15+6.5												
15+8.5	211.5	8.3	106.5	4.2	106.5	4.2						
15+11												
15+15												
19+4.5							203.5	8	54.5	2.1	104.5	4
19+6.5												
19+8.5												

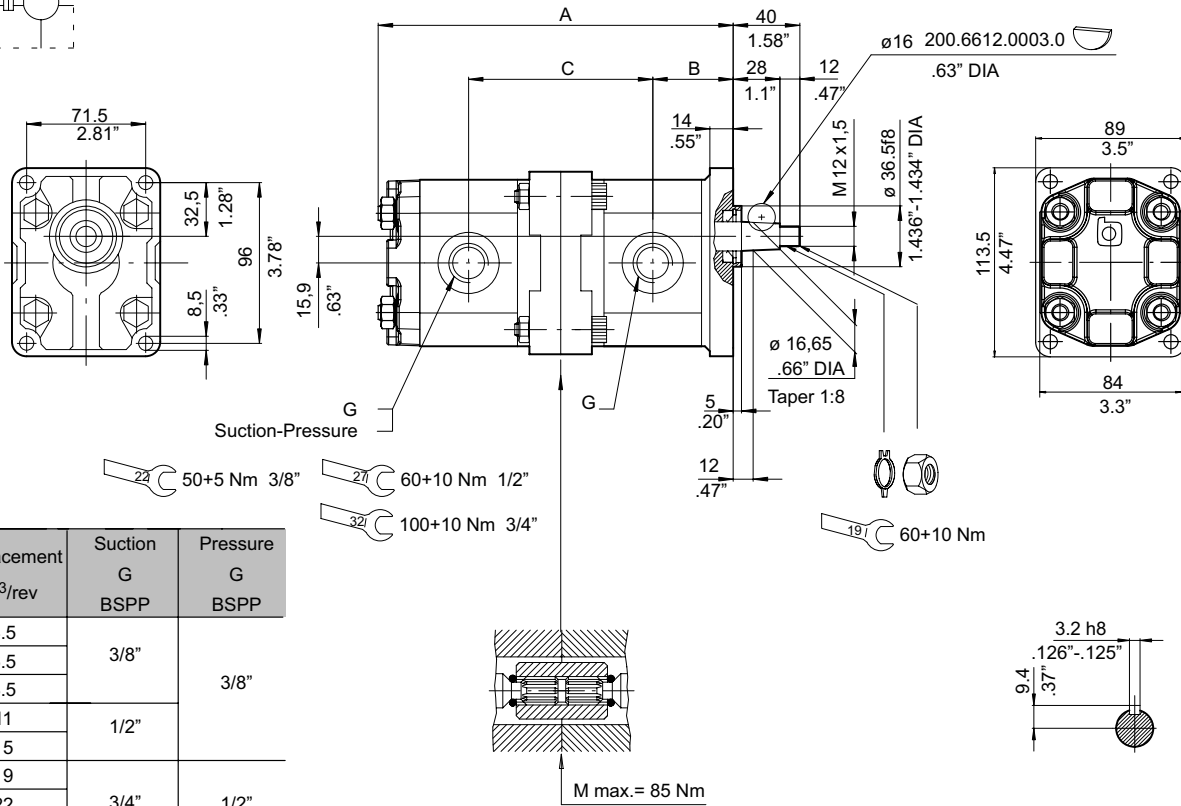
Displacement cm <sup>3</sup> /rev	A		B		C							
	mm	inch	mm	inch	mm	inch						
19+11	223.5	8.8	54.5	2.1	112.5	4.43						
19+15												
19+19												
22+4.5	208	8.2	56.5	2.3	107	4.2						
22+6.5												
22+8.5												
22+11	228	9	115	4.5	115	4.5						
22+15												
22+19												
22+22												
26+4.5							208	8.2	107	4.2	107	4.2
26+6.5												
26+8.5												
26+11												
26+15												
26+19												
26+22	243	9.5	123	4.8	123	4.8						
26+26												

**Accessories**

Flange connectors: RF201 - RF202 - RF207 - RF210 - RF212 - RF213 - RF223 - RF224 - RF225 - RF238 - RF246 - RF251  
 Splined couplings: GSH-2-14 - GSH-2-15 - GSH-2-18  
 See section 8.4 for an example of ordering code



Group **AP202** Code **8818**



Displacement cm <sup>3</sup> /rev	Suction G BSPP	Pressure G BSPP
4.5	3/8"	3/8"
6.5		
8.5		
11	1/2"	
15	3/4"	1/2"
19		
22		
26		

Displacement cm <sup>3</sup> /rev	A		B		C							
	mm	inch	mm	inch	mm	inch						
4.5+4.5	175.5	7	40.5	1.6	90.5	3.56						
6.5+4.5												
6.5+6.5												
8.5+4.5												
8.5+6.5												
8.5+8.5												
11+4.5	191.5	7.5	48.5	2	98.5	3.88						
11+6.5												
11+8.5												
11+11												
15+4.5												
15+6.5												
15+8.5	191.5	7.5	48.5	2	98.5	3.88						
15+11												
15+15												
19+4.5							211.5	8.3	48.5	2	106.5	4.2
19+6.5												
19+8.5												
19+11												
19+15												
19+19												
19+22	203.5	8	54.5	2.1	104.5	4						
19+26												

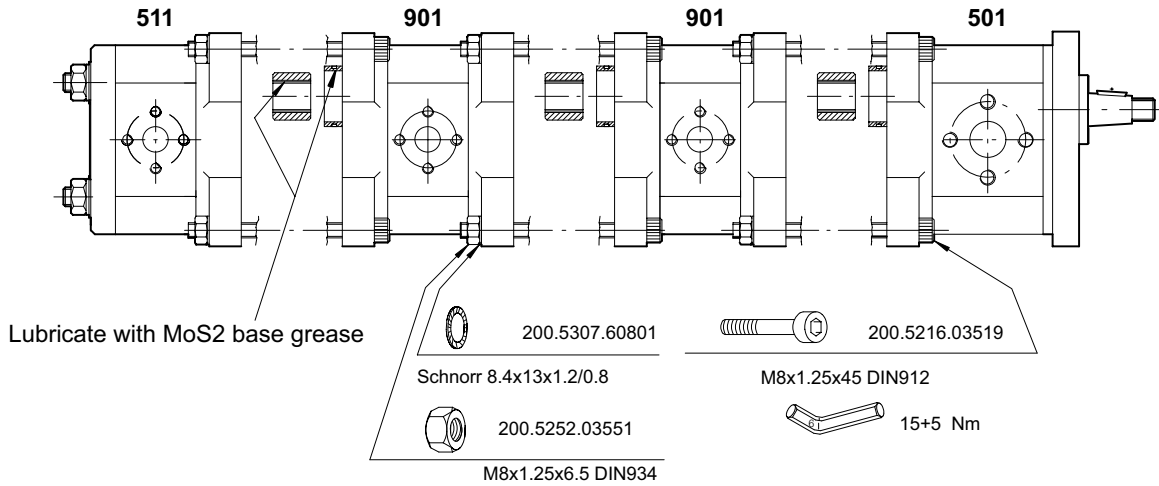
Displacement cm <sup>3</sup> /rev	A		B		C	
	mm	inch	mm	inch	mm	inch
19+11	223.5	8.8	54.5	2.1	112.5	4.43
19+15					118.5	4.7
19+19					123	4.8
22+4.5	208	8.2	56.5	2.3	107	4.2
22+6.5					115	4.5
22+8.5					121	4.7
22+11					123	4.8
22+15					107	4.2
22+19					115	4.5
22+22	238	9.4	56.5	2.3	121	4.7
26+4.5					123	4.8
26+6.5					107	4.2
26+8.5					115	4.5
26+11					121	4.7
26+15					123	4.8
26+19	243	9.5	56.5	2.3	107	4.2
26+22					115	4.5
26+26					121	4.7

**Accessories**

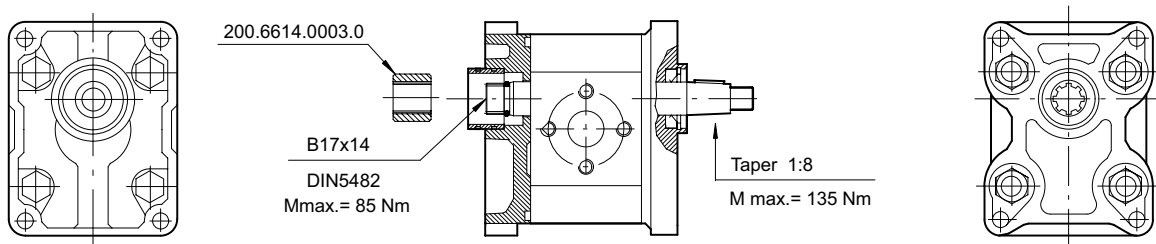
Splined couplings: GSH-2-14 - GSH-2-15 - GSH-2-18

**Multiple gear pumps**

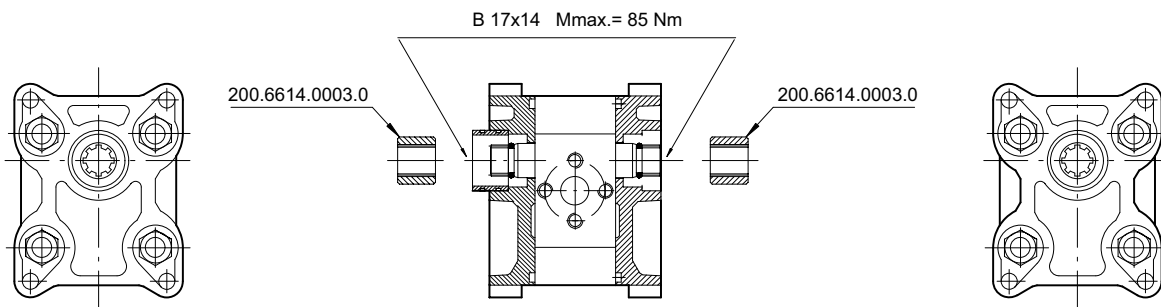
Group **AP200**



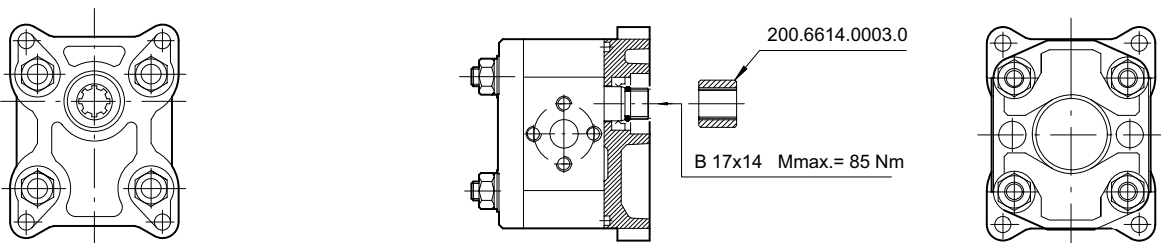
**Front pump 501**



**Intermediate pump 901**

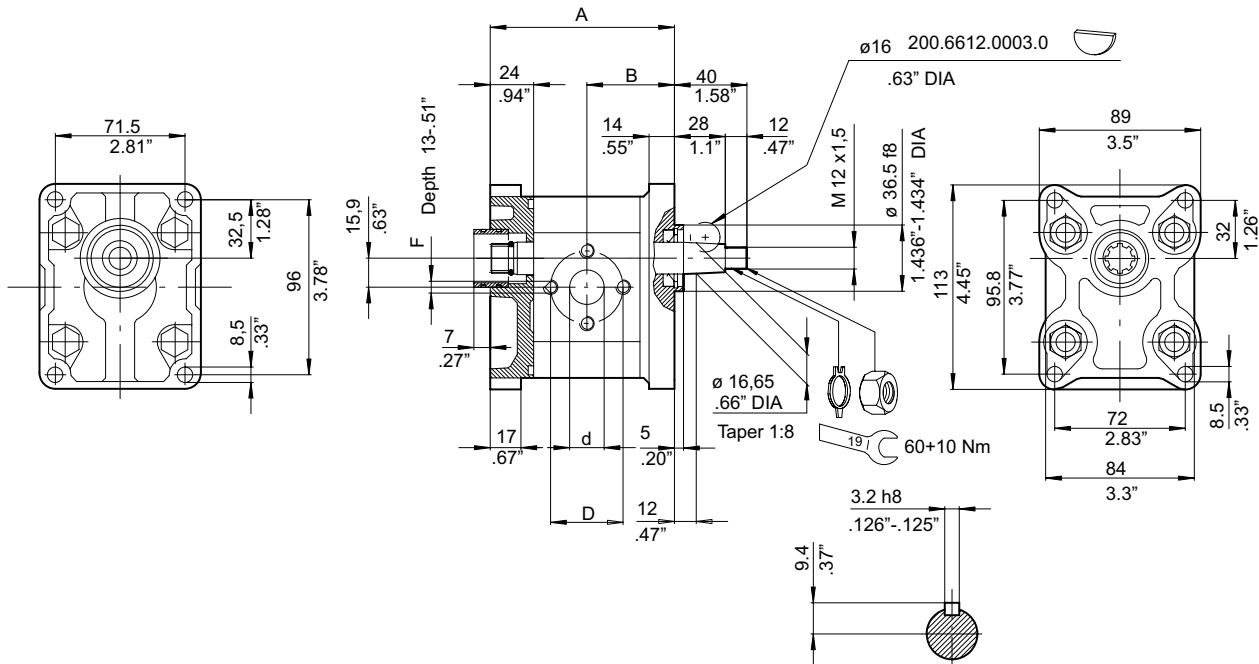


**Rear pump 511**



The 501, 901, and 511 code pumps are sold as single pre-assembled and tested units. They can be used in a variety of combinations in double, triple, quadruple pumps, etc..

In the case of one or more pumps with operation under pressure or at the operating limits, the recommendations indicated on page 8/96 are to be observed.



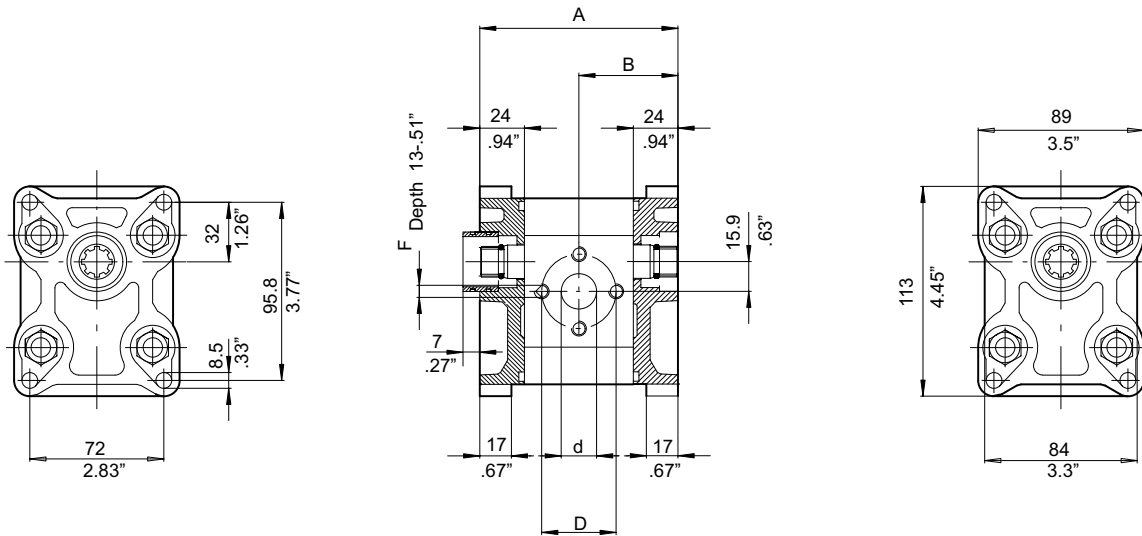
Type	Displacement cm <sup>3</sup> /rev	Dimensions				Suction					Pressure				
		A mm	inch	B mm	inch	d mm	inch	D mm	inch	F mm	d mm	inch	D mm	inch	F mm
AP200/4.5	4.3	85.5	3.36	40.3	1.59	13.5	.53	30	1.18	M6X1	13.5	.53	30	1.18	M6X1
AP200/6.5	6.3														
AP200/8.5	8.3														
AP200/11	10.95	101.5	4	48.3	1.90	19	.75	40	1.58	M8X1.25	19	.75	40	1.58	M8X1.25
AP200/15	14.95														
AP200/19	18.9	113.5	4.46	54.3	2.14	19	.75	40	1.58	M8X1.25	19	.75	40	1.58	M8X1.25
AP200/22	21.9														
AP200/26	25.9	118	4.64	56.5	2.22	19	.75	40	1.58	M8X1.25	19	.75	40	1.58	M8X1.25

Clockwise rotation: D		Counter-clockwise rotation: S	
Type	Order Code	Type	Order Code
AP200/4.5 D	200.7483.1058.0	AP200/4.5 S	200.7483.1059.0
AP200/6.5 D	200.7483.2055.0	AP200/6.5 S	200.7483.2056.0
AP200/8.5 D	200.7483.3058.0	AP200/8.5 S	200.7483.3059.0
AP200/11 D	200.7483.4058.0	AP200/11 S	200.7483.4059.0
AP200/15 D	200.7483.5056.0	AP200/15 S	200.7483.5057.0
AP200/19 D	200.7483.6057.0	AP200/19 S	200.7483.6058.0
AP200/22 D	200.7483.7055.0	AP200/22 S	200.7483.7056.0
AP200/26 D	200.7483.8047.0	AP200/26 S	200.7483.8048.0

#### Accessories

Flange connectors: RF223 - RF224 - RF225 - RF238 - RF246 - RF251.

Splined couplings: GSH-2-14 - GSH-2-15 - GSH-2-18 - 200.6614.0003.0



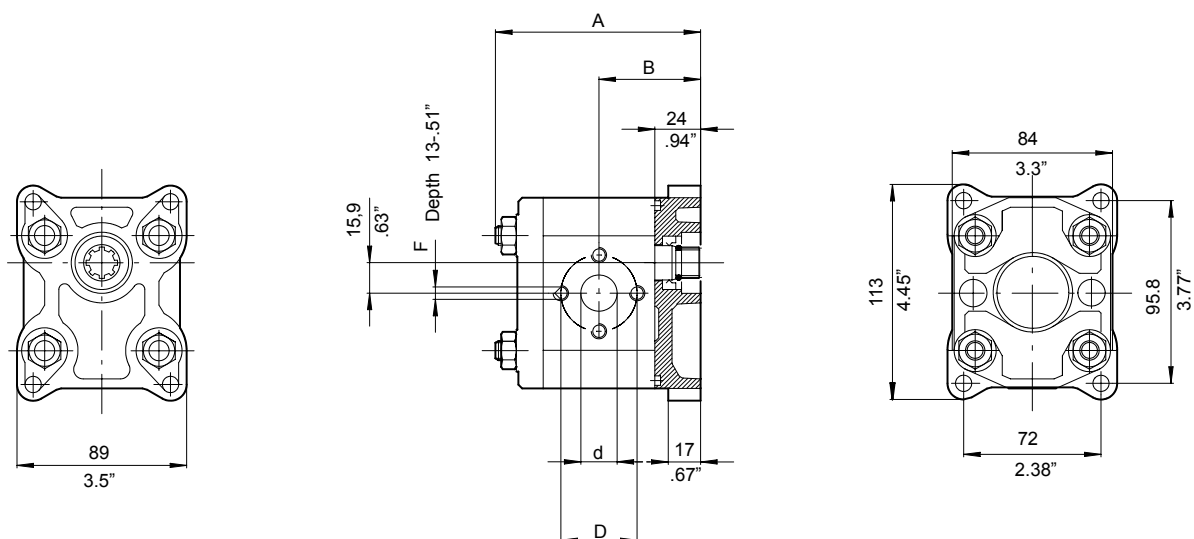
Type	Displacement cm <sup>3</sup> /rev	Dimensions				Suction					Pressure				
		A		B		d		D		F	d		D		F
		mm	inch	mm	inch	mm	inch	mm	inch	mm	mm	inch	mm	inch	mm
<b>AP200/4.5</b>	4.3	90.5	3.56	45.5	1.79	13.5	.53	30	1.18	M6X1	13.5	.53	30	1.18	M6X1
<b>AP200/6.5</b>	6.3														
<b>AP200/8.5</b>	8.3														
<b>AP200/11</b>	10.95	106.5	4.2	53.5	2.10	19	.75	40	1.58	M8X1.25	19	.75	40	1.58	M8X1.25
<b>AP200/15</b>	14.95														
<b>AP200/19</b>	18.9	112.5	4.56	59.5	2.34	19	.75	40	1.58	M8X1.25	19	.75	40	1.58	M8X1.25
<b>AP200/22</b>	21.9	123	4.84	61.5	2.40										
<b>AP200/26</b>	25.9														

Clockwise rotation: D		Counter-clockwise rotation: S	
Type	Order Code	Type	Order Code
AP200/4.5 D	<b>200.7483.1062.0</b>	AP200/4.5 S	<b>200.7483.1063.0</b>
AP200/6.5 D	<b>200.7483.2059.0</b>	AP200/6.5 S	<b>200.7483.2060.0</b>
AP200/8.5 D	<b>200.7483.3062.0</b>	AP200/8.5 S	<b>200.7483.3063.0</b>
AP200/11 D	<b>200.7483.4062.0</b>	AP200/11 S	<b>200.7483.4063.0</b>
AP200/15 D	<b>200.7483.5060.0</b>	AP200/15 S	<b>200.7483.5061.0</b>
AP200/19 D	<b>200.7483.6061.0</b>	AP200/19 S	<b>200.7483.6062.0</b>
AP200/22 D	<b>200.7483.7059.0</b>	AP200/22 S	<b>200.7483.7060.0</b>
AP200/26 D	<b>200.7483.8051.0</b>	AP200/26 S	<b>200.7483.8052.0</b>

**Accessories**

Flange connectors: RF223 - RF224 - RF225 - RF238 - RF246 - RF251.

Splined couplings: 200.6614.0003.0



Type	Displacement cm <sup>3</sup> /rev	Dimensions				Suction					Pressure				
		A		B		d		D		F	d		D		F
		mm	inch	mm	inch	mm	inch	mm	inch	mm	mm	inch	mm	inch	mm
<b>AP200/4.5</b>	4.3	90	3.54	45.5	1.79	13.5	.53	30	1.18	M6X1	13.5	.53	30	1.18	M6X1
<b>AP200/6.5</b>	6.3														
<b>AP200/8.5</b>	8.3														
<b>AP200/11</b>	10.95	110	4.3	53.5	2.10	19	.75	40	1.58	M8X1.25	19	.75	40	1.58	M8X1.25
<b>AP200/15</b>	14.95														
<b>AP200/19</b>	18.9	120	4.72	59.5	2.34										
<b>AP200/22</b>	21.9	125	4.92	61.5	2.40						19	.75	40	1.58	M8X1.25
<b>AP200/26</b>	25.9														

Clockwise rotation: D		Counter-clockwise rotation: S	
Type	Order Code	Type	Order Code
AP200/4.5 D	<b>200.7483.1060.0</b>	AP200/4.5 S	<b>200.7483.1061.0</b>
AP200/6.5 D	<b>200.7483.2057.0</b>	AP200/6.5 S	<b>200.7483.2058.0</b>
AP200/8.5 D	<b>200.7483.3060.0</b>	AP200/8.5 S	<b>200.7483.3061.0</b>
AP200/11 D	<b>200.7483.4060.0</b>	AP200/11 S	<b>200.7483.4061.0</b>
AP200/15 D	<b>200.7483.5058.0</b>	AP200/15 S	<b>200.7483.5059.0</b>
AP200/19 D	<b>200.7483.6059.0</b>	AP200/19 S	<b>200.7483.6060.0</b>
AP200/22 D	<b>200.7483.7057.0</b>	AP200/22 S	<b>200.7483.7058.0</b>
AP200/26 D	<b>200.7483.8049.0</b>	AP200/26 S	<b>200.7483.8050.0</b>

**Accessories**

Flange connectors: RF223 - RF224 - RF225 - RF238 - RF246 - RF251.

Splined couplings: 200.6614.0003.0