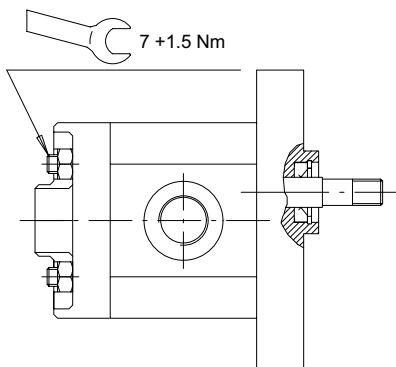


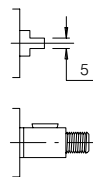
3 Gear pump group AP05



AP/APR05 Type	Displacement		Max. pressure						n.min.		n.max.	
	cm ³ /rev	Cu.In.P.R.	P1		P2		P3		P ≤ P1	P > P1	P ≤ P1	P > P1
			bar	P.S.I.	bar	P.S.I.	bar	P.S.I.				
AP05/0.25	0.25	.015	170	2400	180	2600	200	2900	800	1000	6000	7000
AP05/0.5	0.5	.030	190	2700	210	3000	230	3300	650	800	6000	7000
AP05/0.75	0.75	.045	190	2700	210	3000	230	3300	650	800	6000	7000
AP05/0.9	0.9	.055	190	2700	210	3000	230	3300	650	800	6000	7000
AP05/1.2	1.2	.073	170	2400	180	2600	200	2900	550	700	5000	6000
AP05/1.6	1.6	.097	170	2400	180	2600	200	2900	550	700	5000	6000
APR05/0.25	0.25	.015	150	2200	160	2300	180	2600	800	1000	6000	7000
APR05/0.5	0.5	.030	170	2400	190	2700	210	3000	650	800	6000	7000
APR05/0.75	0.75	.045	170	2400	190	2700	210	3000	650	800	6000	7000
APR0.5/0.9	0.9	.055	170	2400	190	2700	210	3000	650	800	6000	7000
APR05/1.2	1.2	.073	150	2200	160	2300	180	2600	550	700	5000	6000



Max torque allowed to the shaft



M max = 13 Nm

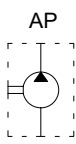
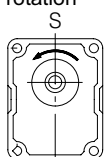
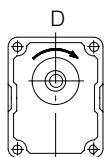
**9

Last number of pump code

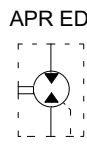
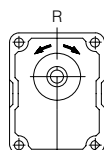
M max = 5 Nm

**0

Clockwise (D) Counter-clockwise (S)
rotation



Reversible rotation

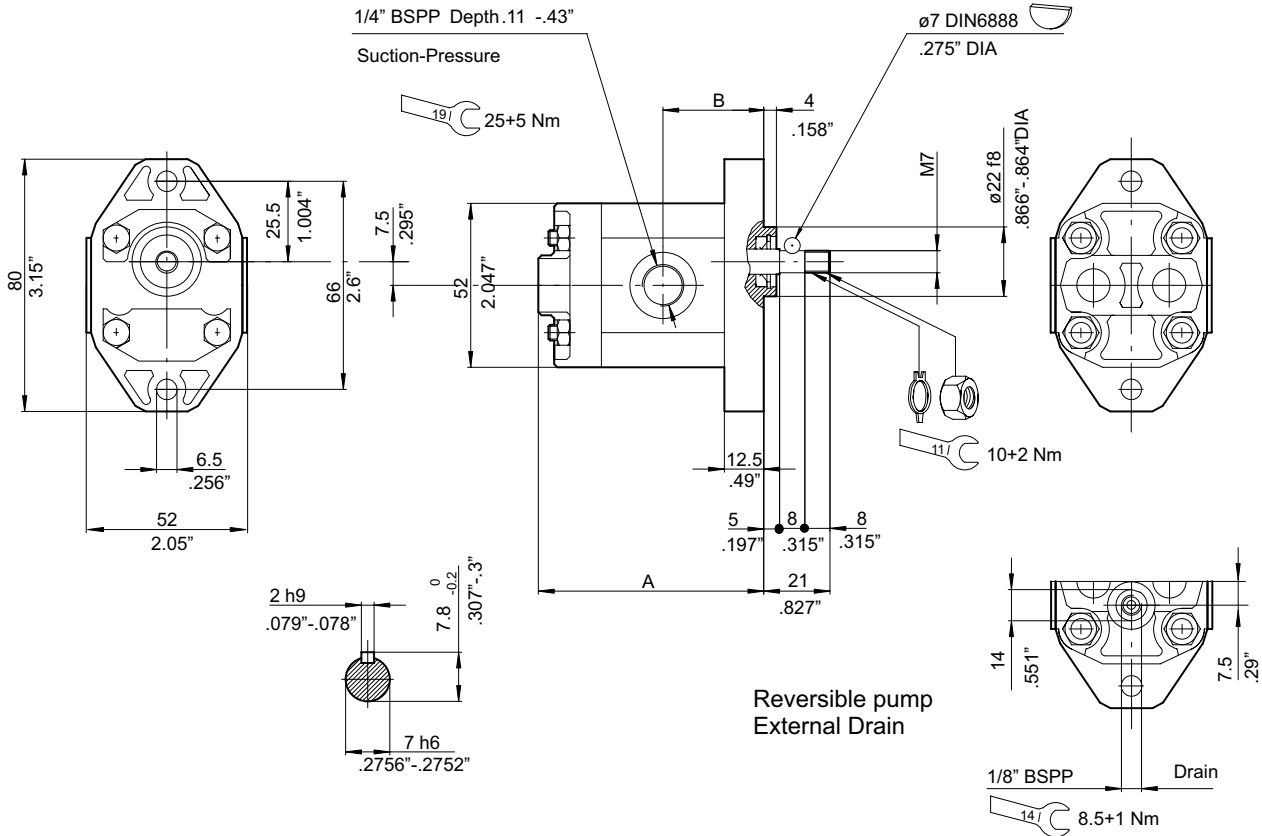


Notes:

- For uses at the operating limits, see note on page 8/96
- For codes and dimensions regarding accessories, see section 7.
- For the types of pumps without ordering code, contact our Sales Dept.



Group **AP05** Code **810**
APR05



Type	Displacement cm ³ /rev	Dimensions			
		A		B	
		mm	inch.	mm	inch.
AP05/0.25	0.25	64.5	2.54	29	1.41
AP05/0.5	0.5	67	2.64	30.5	1.2
AP05/0.75	0.75	69	2.72	31.5	1.24
AP05/0.9	0.9	70.5	2.77	32	1.26
AP05/1.2	1.2	73	2.87	33.5	1.32

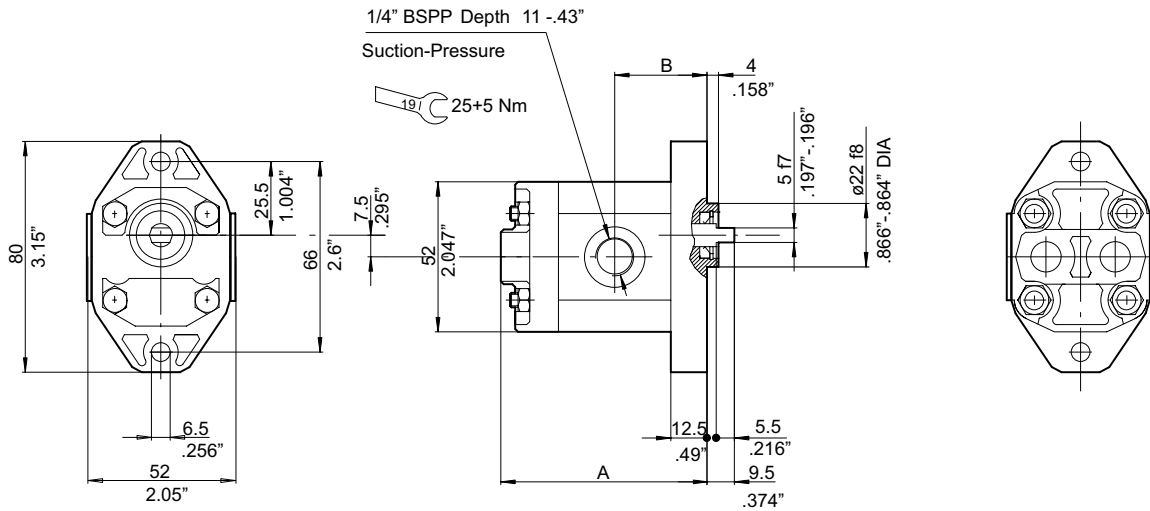
Clockwise rotation: D		Counter-clockwise rotation: S		Reversible pump - External Drain	
Type	Order Code	Type	Order Code	Type	Order Code
AP05/0.25 D	200.1002.612.04	AP05/0.25 S	200.1002.613.02	APR05/0.25	200.1002.611.01
AP05/0.5 D	200.1003.612.02	AP05/0.5 S	200.1003.613.02	APR05/0.5	200.1003.611.01
AP05/0.75 D	200.1004.612.02	AP05/0.75 S	200.1004.613.02	APR05/0.75	200.1004.611.01
AP05/0.9 D	200.1005.612.02	AP05/0.9 S	200.1005.613.02	APR05/0.9	200.1005.611.01
AP05/1.2 D	200.1006.612.02	AP05/1.2 S	200.1006.613.02	APR05/1.2	200.1006.611.01

Accessories

Splined couplings: GSH-06



Group **AP05** Code **819**

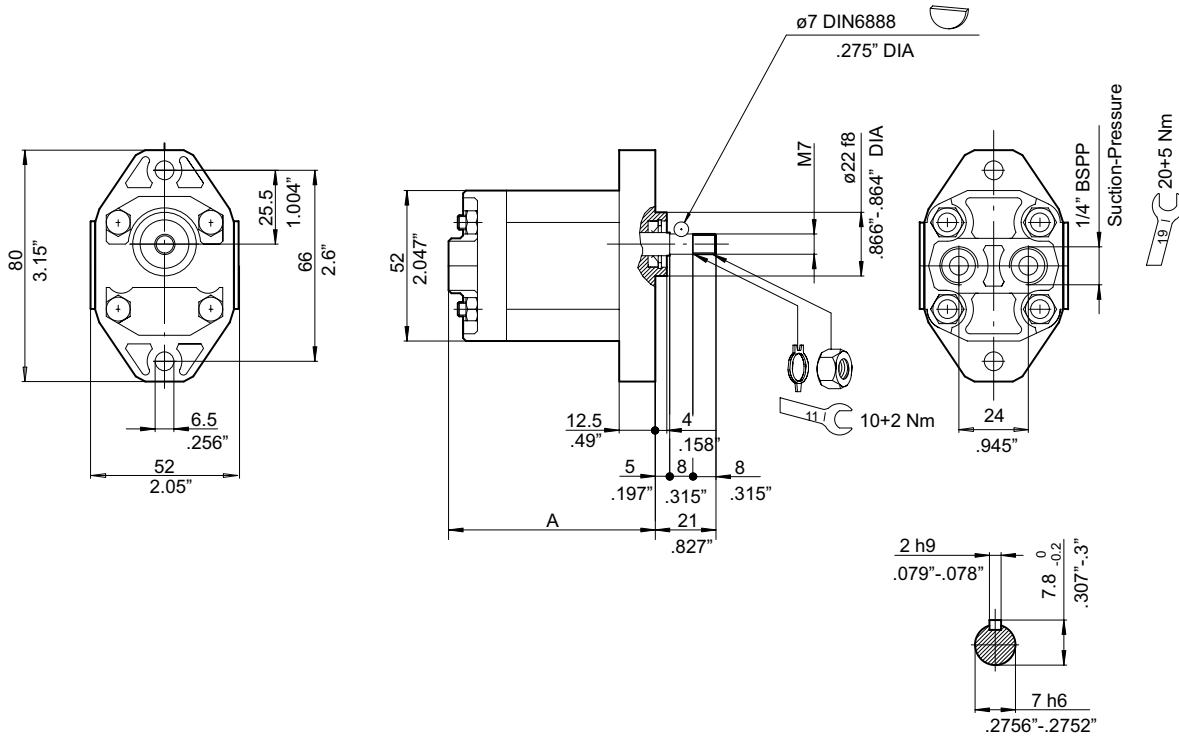


Type	Displacement cm ³ /rev	Dimensions			
		A		B	
		mm	inch.	mm	inch.
AP05/0.25	0.25	64.5	2.54	29	1.41
AP05/0.5	0.5	67	2.64	30.5	1.2
AP05/0.75	0.75	69	2.72	31.5	1.24
AP05/0.9	0.9	70.5	2.77	32.3	1.26
AP05/1.2	1.2	73	2.87	33.5	1.32
AP05/1.6	1.6	77	3.03	35.5	1.40

Clockwise rotation: D		Counter-clockwise rotation: S	
Type	Order Code	Type	Order Code
AP05/0.25 D	200.1002.642.08	AP05/0.25 S	200.1002.643.04
AP05/0.5 D	200.1003.642.02	AP05/0.5 S	200.1003.643.02
AP05/0.75 D	200.1004.642.02	AP05/0.75 S	200.1004.643.02
AP05/0.9 D	200.1005.642.04	AP05/0.9 S	200.1005.643.04
AP05/1.2 D	200.1006.642.02	AP05/1.2 S	200.1006.643.02
AP05/1.6 D	200.1008.642.02	AP05/1.6 S	200.1008.643.01



Group **AP05** Code **310**



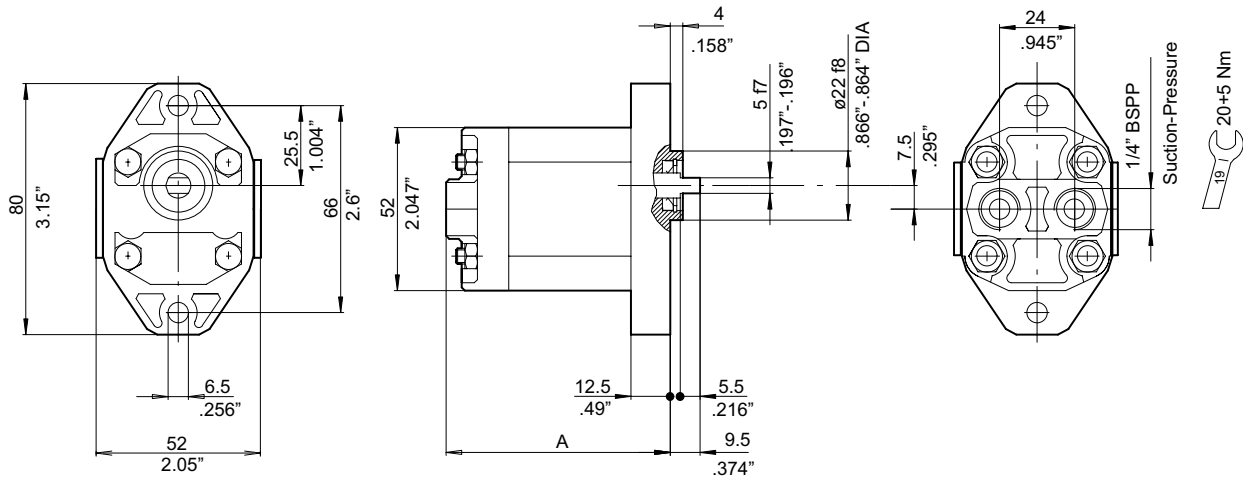
Type	Displacement cm ³ /rev	Dimensions	
		mm	inch.
AP05/0.25	0.25	64.5	2.54
AP05/0.5	0.5	67	2.64
AP05/0.75	0.75	69	2.72
AP05/0.9	0.9	70.5	2.77
AP05/1.2	1.2	73	2.87

Clockwise rotation: D		Counter-clockwise rotation: S	
Type	Order Code	Type	Order Code
AP05/0.25 D	200.1002.612.01	AP05/0.25 S	200.1002.613.01
AP05/0.5 D	200.1003.612.01	AP05/0.5 S	200.1003.613.01
AP05/0.75 D	200.1004.612.01	AP05/0.75 S	200.1004.613.01
AP05/0.9 D	200.1005.612.01	AP05/0.9 S	200.1005.613.01
AP05/1.2 D	200.1006.612.01	AP05/1.2 S	200.1006.613.01

Accessories

Splined couplings: GSH-06

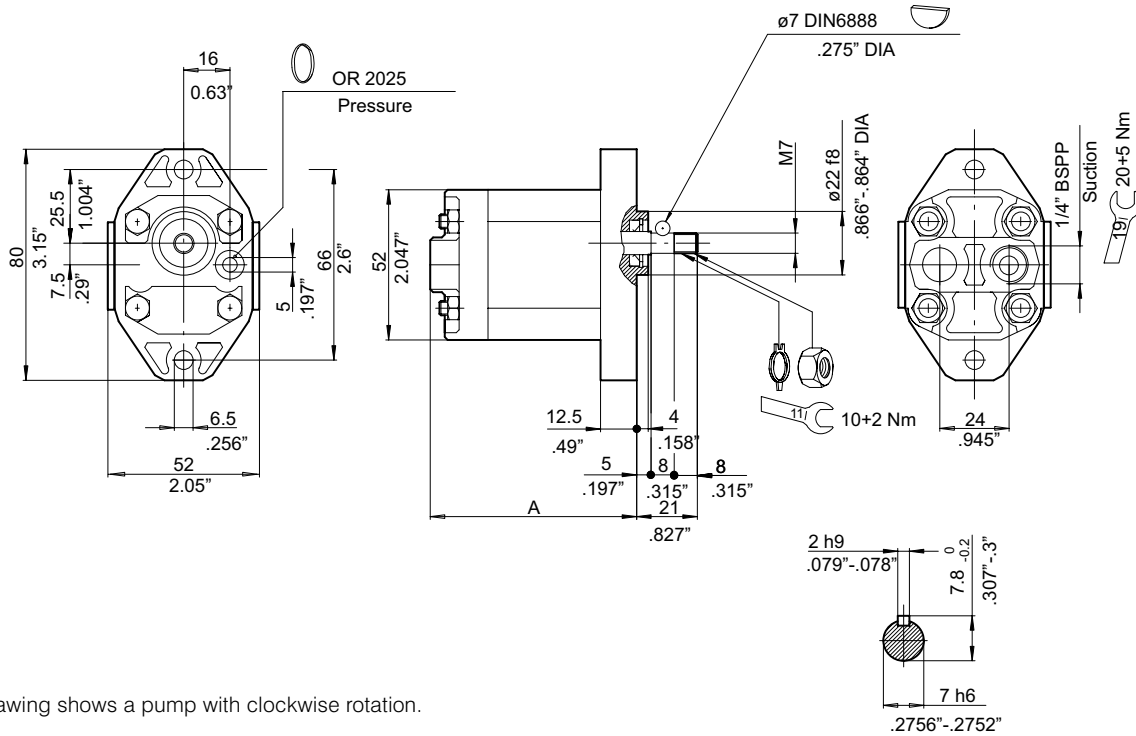
Group AP05 Code 319



Type	Displacement cm ³ /rev	Dimensions	
		A	
		mm	inch.
AP05/0.25	0.25	64.5	2.54
AP05/0.5	0.5	67	2.64
AP05/0.75	0.75	69	2.72
AP05/0.9	0.9	70.5	2.77
AP05/1.2	1.2	73	2.87

Clockwise rotation: D		Counter-clockwise rotation: S	
Type	Order Code	Type	Order Code
AP05/0.25 D	200.1002.142.02	AP05/0.25 S	200.1002.143.01
AP05/0.5 D	200.1003.142.01	AP05/0.5 S	200.1003.143.01
AP05/0.75 D	200.1004.142.01	AP05/0.75 S	200.1004.143.01
AP05/0.9 D	200.1005.142.01	AP05/0.9 S	200.1005.143.01
AP05/1.2 D	200.1006.142.01	AP05/1.2 S	200.1006.143.01
AP05/1.6 D	200.1008.142.01	AP05/1.6 S	200.1008.143.01

Group **AP05** Code **410**



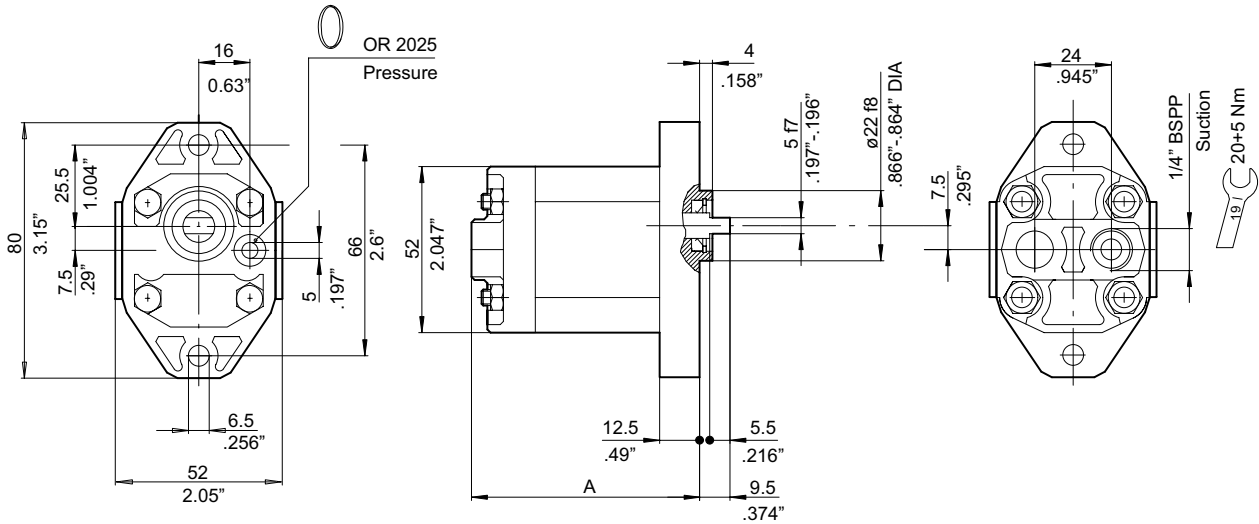
The drawing shows a pump with clockwise rotation.

Type	Displacement cm ³ /rev	Dimensions	
		A	
		mm	inch.
AP05/0.25	0.25	64.5	2.54
AP05/0.5	0.5	67	2.64
AP05/0.75	0.75	69	2.72
AP05/0.9	0.9	70.5	2.77
AP05/1.2	1.2	73	2.87

Clockwise rotation: D		Counter-clockwise rotation: S	
Type	Order Code	Type	Order Code
AP05/0.25 D		AP05/0.25 S	200.1002.613.04
AP05/0.5 D		AP05/0.5 S	200.1003.613.04
AP05/0.75 D		AP05/0.75 S	
AP05/0.9 D	200.1005.612.04	AP05/0.9 S	
AP05/1.2 D		AP05/1.2 S	

Accessories

Splined couplings: GSH-06



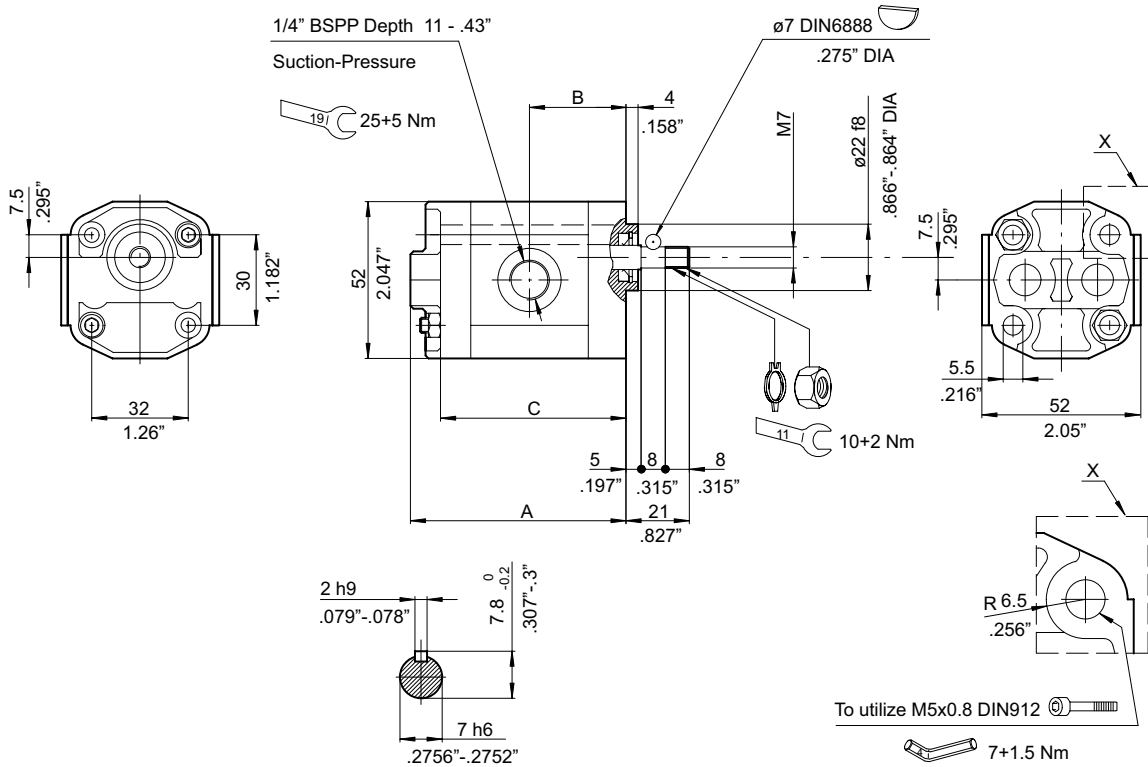
The drawing shows a pump with clockwise rotation.

Type	Displacement cm ³ /rev	Dimensions	
		A	
		mm	inch.
AP05/0.25	0.25	64.5	2.54
AP05/0.5	0.5	67	2.64
AP05/0.75	0.75	69	2.72
AP05/0.9	0.9	70.5	2.77
AP05/1.2	1.2	73	2.87
AP05/1.6	1.6	77	3.03

Clockwise rotation: D		Counter-clockwise rotation: S	
Type	Order Code	Type	Order Code
AP05/0.25 D		AP05/0.25 S	
AP05/0.5 D	200.1003.642.03	AP05/0.5 S	200.1003.643.04
AP05/0.75 D		AP05/0.75 S	200.1004.643.03
AP05/0.9 D		AP05/0.9 S	
AP05/1.2 D		AP05/1.2 S	
AP05/1.6 D		AP05/1.6 S	200.1008.643.02



Group **AP05** Code **830**



Type	Displacement cm ³ /rev	Dimensions					
		A		B		C	
		mm	inch.	mm	inch.	mm	inch.
AP05/0.25	0.25	64.5	2.54	29	1.41	53.5	2.11
AP05/0.5	0.5	67	2.64	30.5	1.2	56	2.20
AP05/0.75	0.75	69	2.72	31.5	1.24	58	2.28
AP05/0.9	0.9	70.5	2.77	32	1.26	59.5	2.34
AP05/1.2	1.2	73	2.87	33.5	1.32	62	2.44

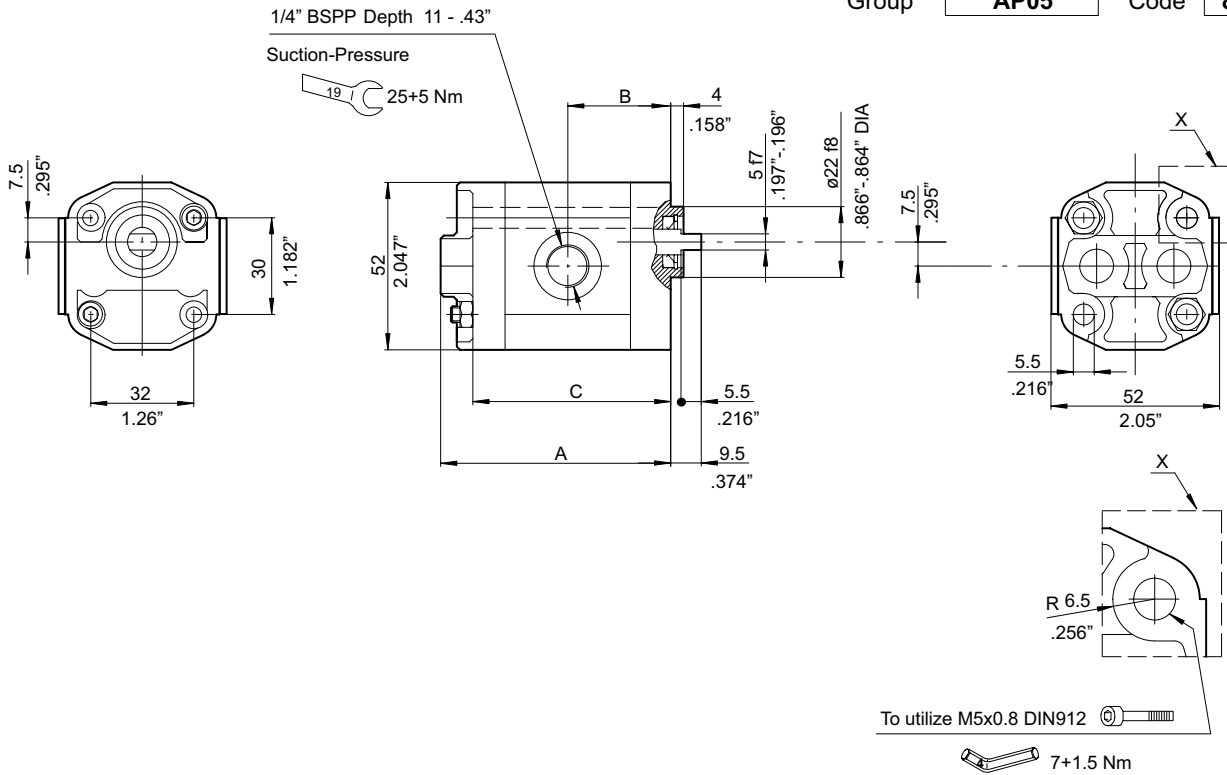
Clockwise rotation: D		Counter-clockwise rotation: S	
Type	Order Code	Type	Order Code
AP05/0.25 D	200.1002.302.01	AP05/0.25 S	200.1002.303.01
AP05/0.5 D		AP05/0.5 S	200.1003.303.01
AP05/0.75 D		AP05/0.75 S	200.1004.303.01
AP05/0.9 D		AP05/0.9 S	200.1005.303.01
AP05/1.2 D		AP05/1.2 S	200.1006.313.01

Accessories

Splined couplings: GSH-06



Group **AP05** Code **839**

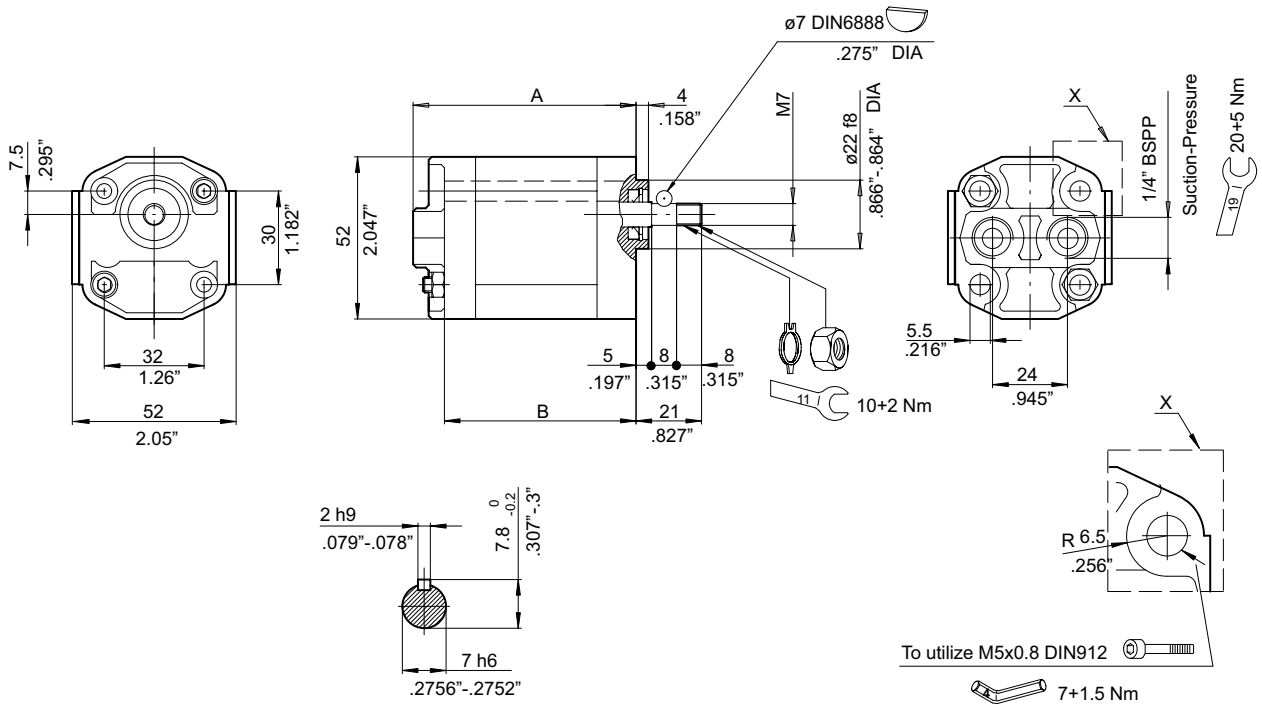


Type	Displacement cm ³ /rev	Dimensions					
		A		B		C	
		mm	inch.	mm	inch.	mm	inch.
AP05/0.25	0.25	64.5	2.54	29	1.41	53.5	2.11
AP05/0.5	0.5	67	2.64	30.5	1.2	56	2.20
AP05/0.75	0.75	69	2.72	31.5	1.24	58	2.28
AP05/0.9	0.9	70.5	2.77	32	1.26	59.5	2.34
AP05/1.2	1.2	73	2.87	33.5	1.32	62	2.44
AP05/1.6	1.6	77	3.03	35.5	1.40	66	2.60

Clockwise rotation: D		Counter-clockwise rotation: S	
Type	Order Code	Type	Order Code
AP05/0.25 D		AP05/0.25 S	
AP05/0.5 D	200.1003.342.01	AP05/0.5 S	
AP05/0.75 D	200.1004.342.01	AP05/0.75 S	200.1004.343.04
AP05/0.9 D	200.1005.342.01	AP05/0.9 S	200.1005.343.02
AP05/1.2 D	200.1006.342.04	AP05/1.2 S	200.1006.343.01
AP05/1.6 D	200.1008.342.01	AP05/1.6 S	200.1008.343.01



Group **AP05** Code **330**

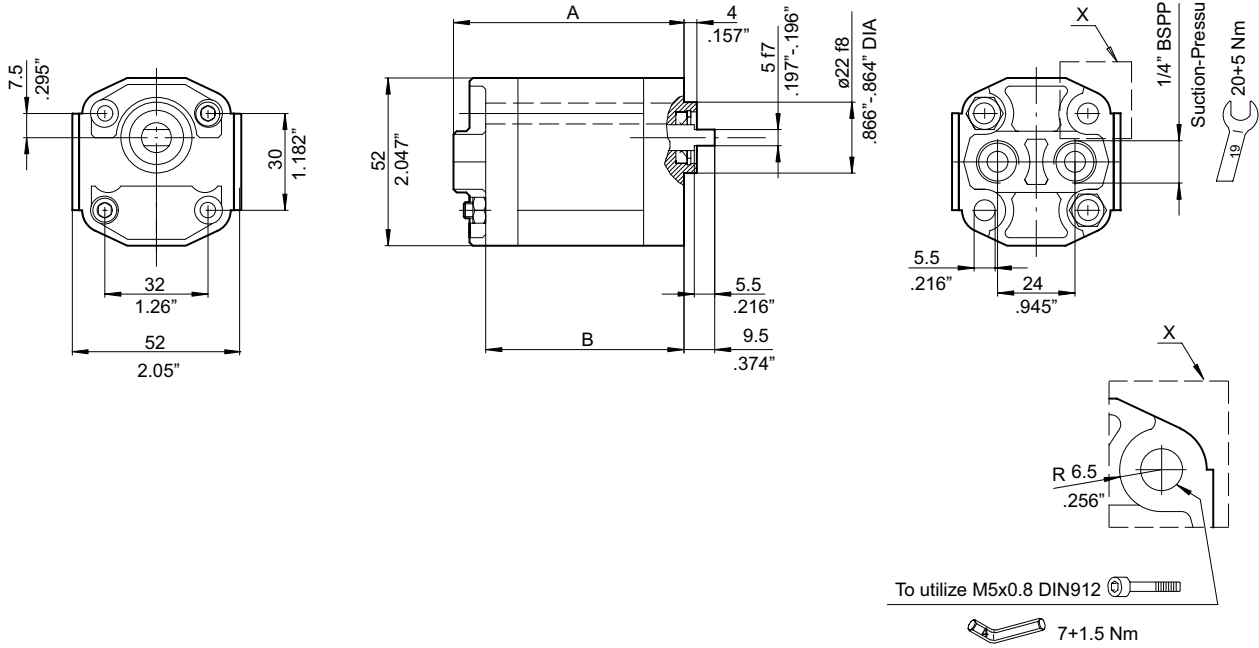


Type	Displacement cm ³ /rev	Dimensions			
		A		B	
		mm	inch.	mm	inch.
AP05/0.25	0.25	64.5	2.54	53.5	2.11
AP05/0.5	0.5	67	2.64	56	2.20
AP05/0.75	0.75	69	2.72	58	2.28
AP05/0.9	0.9	70.5	2.77	59.5	2.34
AP05/1.2	1.2	73	2.87	62	2.44

Clockwise rotation: D		Counter-clockwise rotation: S	
Type	Order Code	Type	Order Code
AP05/0.25 D		AP05/0.25 S	
AP05/0.5 D		AP05/0.5 S	
AP05/0.75 D		AP05/0.75 S	
AP05/0.9 D	200.1005.312.01	AP05/0.9 S	
AP05/1.2 D		AP05/1.2 S	

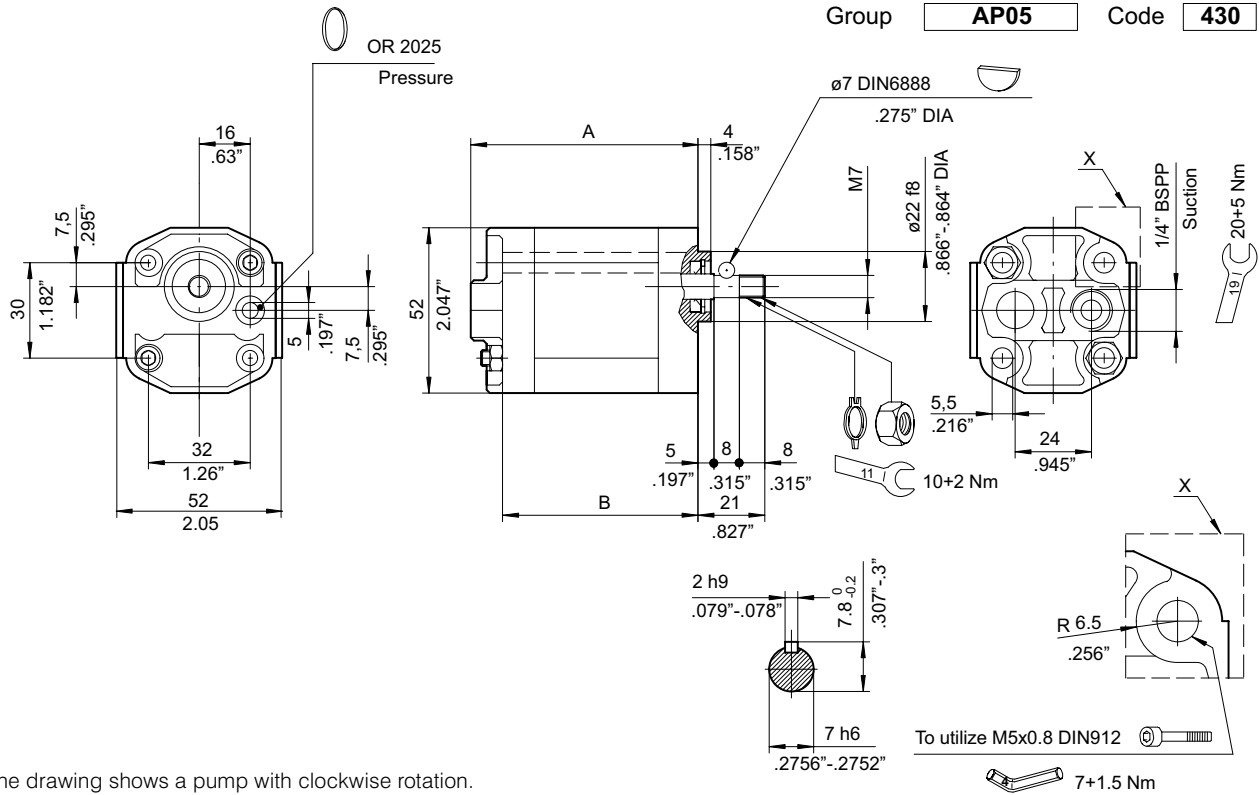


Group **AP05** Code **339**



Type	Displacement cm ³ /rev	Dimensions			
		A		B	
		mm	inch.	mm	inch.
AP05/0.25	0.25	64.5	2.54	53.5	2.11
AP05/0.5	0.5	67	2.64	56	2.20
AP05/0.75	0.75	69	2.72	58	2.28
AP05/0.9	0.9	70.5	2.77	59.5	2.34
AP05/1.2	1.2	73	2.87	62	2.44
AP05/1.6	1.6	77	3.03	66	2.60

Clockwise rotation: D		Counter-clockwise rotation: S	
Type	Order Code	Type	Order Code
AP05/0.25 D	200.1002.342.01	AP05/0.25 S	200.1002.343.03
AP05/0.5 D	200.1003.342.03	AP05/0.5 S	200.1003.343.03
AP05/0.75 D	200.1004.342.02	AP05/0.75 S	200.1004.343.02
AP05/0.9 D	200.1005.342.03	AP05/0.9 S	200.1005.343.03
AP05/1.2 D	200.1006.342.03	AP05/1.2 S	200.1006.343.03
AP05/1.6 D	200.1008.342.02	AP05/1.6 S	200.1008.343.02



The drawing shows a pump with clockwise rotation.

Type	Displacement cm ³ /rev	Dimensions			
		A		B	
		mm	inch.	mm	inch.
AP05/0.25 D	0.25	64.5	2.54	53.5	2.11
AP05/0.5 D	0.5	67	2.64	56	2.20
AP05/0.75 D	0.75	69	2.72	58	2.28
AP05/0.9 D	0.9	70.5	2.77	59.5	2.34
AP05/1.2 D	1.2	73	2.87	62	2.44

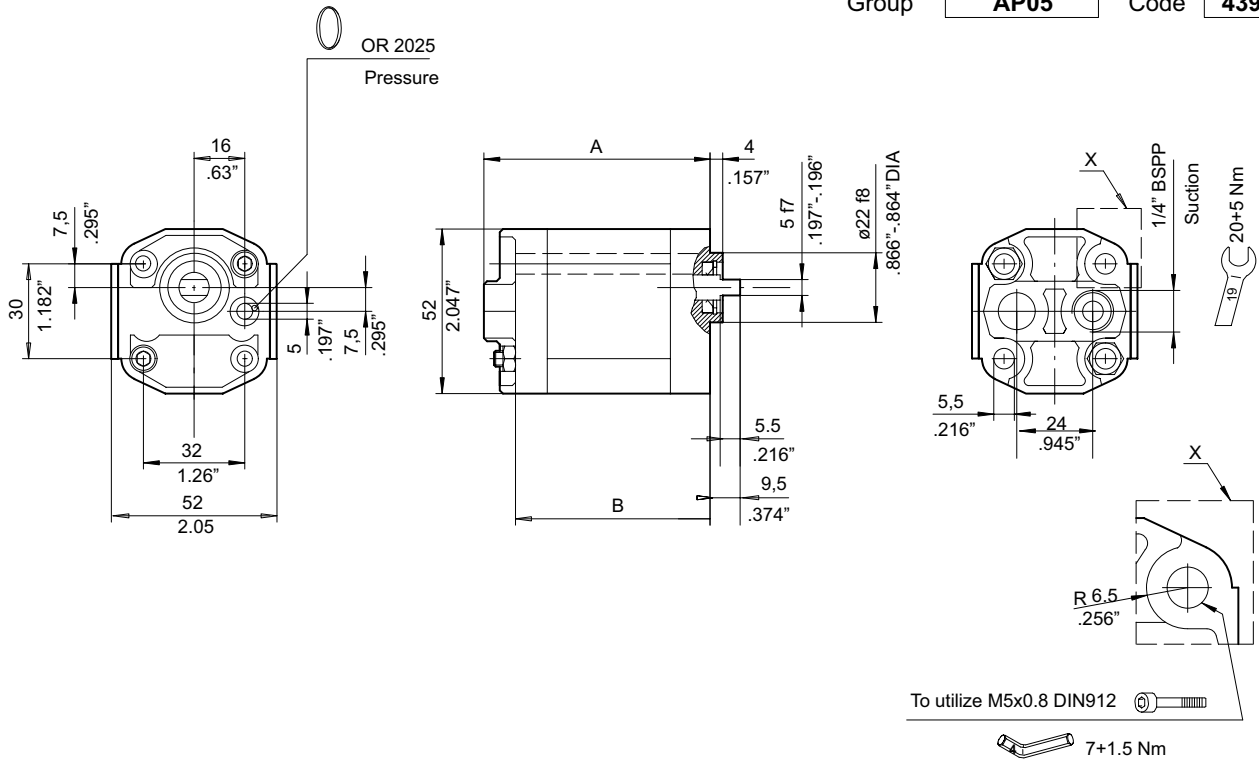
Clockwise rotation: D		Counter-clockwise rotation: S	
Type	Order Code	Type	Order Code
AP05/0.25 D		AP05/0.25 S	
AP05/0.5 D		AP05/0.5 S	
AP05/0.75 D		AP05/0.75 S	
AP05/0.9 D		AP05/0.9 S	
AP05/1.2 D		AP05/1.2 S	

Accessories

Splined couplings: GSH-06



Group **AP05** Code **439**



The drawing shows a pump with clockwise rotation.

Type	Displacement cm ³ /rev	Dimensions			
		A		B	
		mm	inch.	mm	inch.
AP05/0.25 D	0.25	64.5	2.54	53.5	2.11
AP05/0.5 D	0.5	67	2.64	56	2.20
AP05/0.75 D	0.75	69	2.72	58	2.28
AP05/0.9 D	0.9	70.5	2.77	59.5	2.34
AP05/1.2 D	1.2	73	2.87	62	2.44
AP05/1.6 D	1.6	77	3.03	66	2.60

Clockwise rotation: D		Counter-clockwise rotation: S	
Type	Order Code	Type	Order Code
AP05/0.25 D	200.1002.342.02	AP05/0.25 S	200.1002.343.02
AP05/0.5 D	200.1003.342.02	AP05/0.5 S	200.1003.343.02
AP05/0.75 D		AP05/0.75 S	200.1004.343.03
AP05/0.9 D	200.1005.342.02	AP05/0.9 S	
AP05/1.2 D	200.1006.342.02	AP05/1.2 S	200.1006.343.05
AP05/1.6 D		AP05/1.6 S	